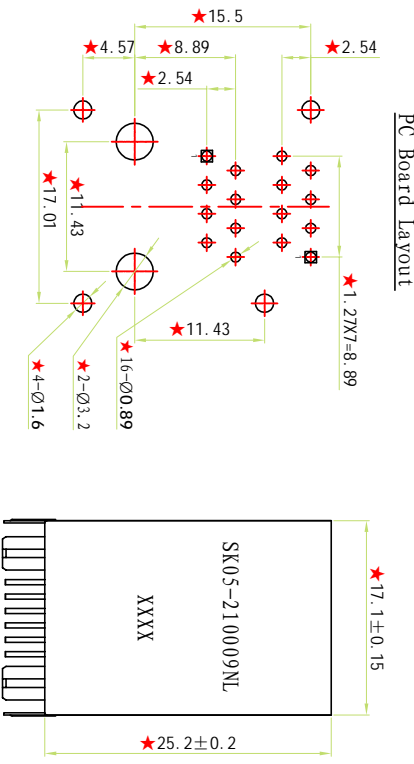
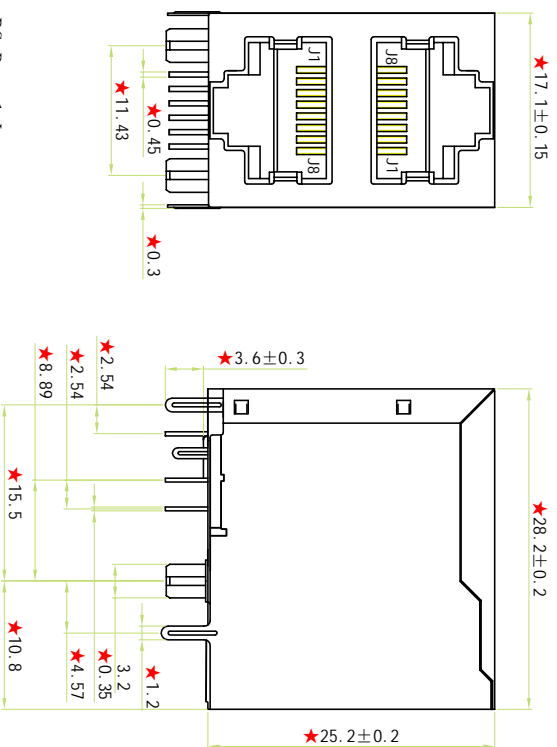


# 1、MECHANICAL



REVISONS			
REV.	DESCRIPTION	ECN NO.	DATE
A	FIRST RELEASE		2012.03.14



## GENERAL SPECIFICATION

**DESCRIPTION**  
 ◆ 10/100 BASE-TX RJ45 2X1 TAB-DOWN/UP WITHOUT LEDS  
 INTEGRATED MAGNETICS CONNECTOR 1CM.

## FEATURES AND BENEFITS

- ◆ ROHS PEAK WAVE SOLDER TEMPERATURE RATING 260° C.
- ◆ RJ45 2\*1 8-PIN WITH INTERNAL MAGNETIC;
- ◆ SUITABLE FOR CAT5 AND CAT6 FAST ETHERNET CABLE OR BETTER UTP.
- ◆ INTERNAL MANETICS: 100%ELECTRONICALLY TESTED FOR HI POT AND FUNCTIONALITY.

## ELECTRICAL PERFORMANCE SUMMARY

- ◆ MEETS IEEE802.3 SPECIFICATION AND 350uH MINIMUM OCL WITH 8mA BIAS CURRENT.
- ◆ HIGH PERFORMANCE FOR MAXIMUM EMI SUPPRESSION.

## TEMPERATURE PERFORMANCE

- ◆ STORAGE TEMPERATURE RANGE: -25° C TO +85° C.
- ◆ OPERATION TEMPERATURE RANGE: 0° C TO +70° C.

## MATERIAL SPECIFICATION

- ◆ SHIELD: BRASS, 0.2mm THICKNESS WITH NICKEL PLATED.
- ◆ HOUSING: PBT (30% GLASS FIBER, UL94V-0)。
- ◆ SOLDERING MATERIAL: 99.3%Sn0.3%Cu.
- ◆ CONTACT: PHOSPHOR BRONZE, 0.35mm THICKNESS, HARD GOLD PLATED OVER TIN GOLD PLATING:

- < 3 μ " INCH  3 μ " INCH  6 μ " INCH
- 15 μ " INCH  30 μ " INCH  50 μ " INCH

dimension	TOLERANCE RATE		
	A	B	C
0~4	0.05	0.10	0.20
4~16	0.08	0.15	0.30
16~64	0.12	0.25	0.50
64~250	0.25	0.40	0.80

**CSAK**® ELECTRONICS CO., LTD

TITLE: 10/100  
 BASE-TX 2\*1 RJ45

## APPROVALS

APPROVALS	Date	Page
DRAWN BY: LongZou	2012.03.14	1
PROJ. ENG: Li Zi Biao	2012.03.14	1
APPROVED BY: SkyGuo	2012.03.14	Total 1
		2

PART NO:  
**SK05-210009NL**

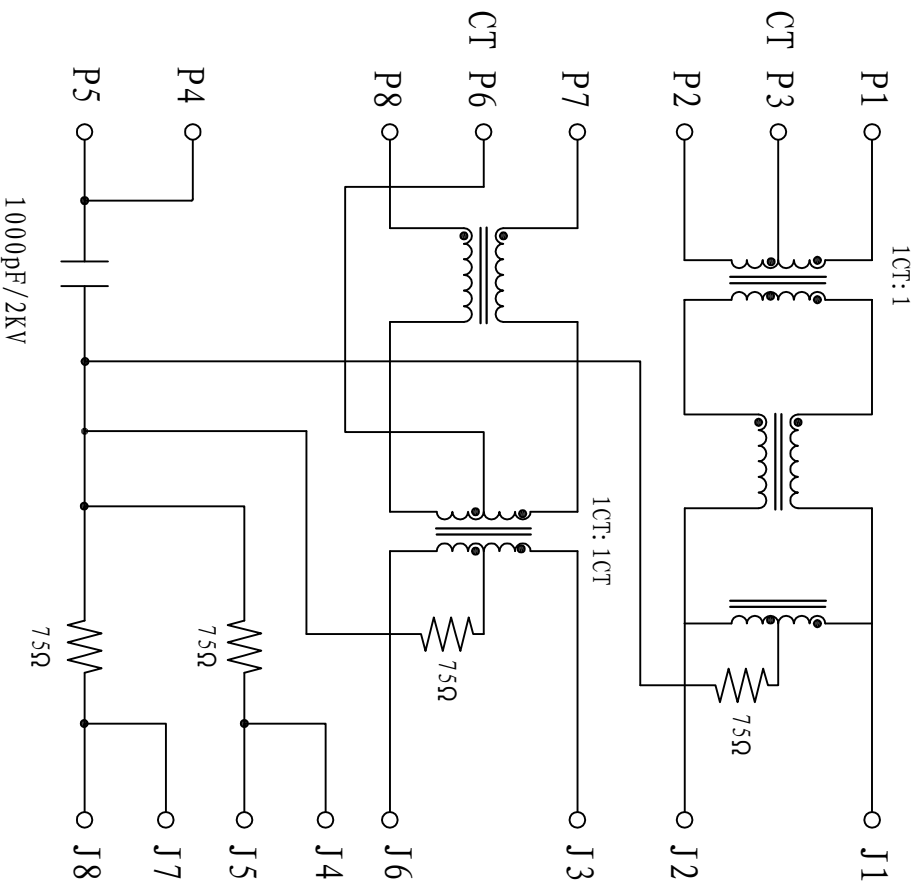
REV: A  
 DWG NO:  
**CSAK-0502**

ORDER INFORMATION:  
 SK05-210009NL (Y/N)  
 A B C D E F

A: IT STANDS FOR THE DIFFERENT R45 DESIGNING OF COMPANY, SUCH AS "SK" STANDS FOR COMPANY BUT "XX" STANDS FOR THE SERIES NUMBER OF DIFFERENT PRODUCTS.  
 B: THE PARTS ARE SINGLE OR MULTI-PORTS. SUCH AS SK01-1XXXX, IT MEANS 1X1 SINGLE PORT. SK01-2XXXX MEANS 2X1 OR 1X2. IT IS A DUAL PORTS R45 FILTERED CONNECTOR. "G" THE MEAN IS 1000BASE REQUIREMENT.  
 C: TELLS IT IS A LEDS VERSION OR NOT. "I" MEANS WITH LEDS, "0" OR ELSE IS WITHOUT LEDS.  
 D: IT STANDS FOR THE PARTS S SERIES NO.  
 E: NL-ROHS COMPLAINT.  
 F: CONTACT PLATING CODE: NORMAL TYPE IS NO MARK, IT STANDS THANDS THE CONTACT AREA OF CONTACT PIN IS 6U" GOLD PLATING. MORE THAN 6U" NEED MARK 15 OR 30 OR 50. ETC.

## 2、ELECTRONICAL

## ELECTRICAL SPECIFICATIONS



ORDER INFORMATION:

SK05-21 0 009 NL-(X/V/N)

A B C D E F

A: IT STANDS FOR THE DIFFERENT RJ45 DESIGNING OF COMPANY , SUCH AS "SK" STANDS FOR COMPANY BUT "XX" STANDS FOR THE SERIES NUMBER OF DIFFERENT PRODUCTS.

B: THE PARTS ARE SINGLE OR MULTI-PORTS: SUCH AS SK01-11XXXX , IT MEANS 1X1 SINGLE PORT, SK01-21XXXX,MEANS 2X1 OR 1X2.IT IS A DUAL PORTS RJ45 FILTERED CONNECTOR. "G" THE MEAN IS 1000BASE REQUIREMENT.

C: TELLS IT IS A LEADS VERSION OR NOT. "1" MEANS WITH LEADS, "0" OR ELSE IS WITHOUT LEADS.

D: IT STANDS FOR THE PARTS S SERIES NO.

E: NL=ROHS COMPLAINT.

F: CONTACT PLATING CODE: NORMAL TYPE IS NO MARK, IT STANDS THANDS THE CONTACT AREA OF CONTACT PIN IS 6U" GOLD PLATING. MORE THAN 6U" NEED MARK 15 OR 30 OR 50. ETC.

- ◆ ALL TEST CONDITIONS@25°C UNLESS OTHERWISE NOTED.
- ◆ TURN RATIO:  
TX, SECONDARY : PRIMARY= 1CT:1 ± 3%。  
RX, SECONDARY : PRIMARY= 1CT:1CT ± 3%。
- ◆ OCL: 350uH MIN, 8mA DC BIAS CURRENT.
- ◆ INSERTION LOSS: 1-100MHZ-1.0dB MAX.
- ◆ RETURN LOSS: 1MHZ TO 10MHZ : -18dB MIN.  
10MHZ TO 30MHZ : -16dB MIN.  
30MHZ TO 60MHZ : -14dB MIN.  
60MHZ TO 80MHZ : -12dB MIN.  
80MHZ TO 100MHZ : -10dB MIN.
- ◆ CROSSTALK: 1MHZ TO 100MHZ : -35dB MIN.
- ◆ COMMON MODE REJECTION: 1-100MHZ : -35dB MIN.
- ◆ HIPOT: 1500V AC 1mA 1S.
- ◆ CAPACITOR: 1000pF ± 25% 2KV.
- ◆ RESISTANCE: 75OHMS ± 20%。
- ◆ RESISTANCE OF COIL: 1.80HMS MAX, 0.250HMS MIN.

<b>CSAK</b> ® ELECTRONICS CO., LTD		TITLE: 10/100 BASE-TX 2*1 RJ45	
APPROVALS	Date	Page	PART NO:
DRAWN BY: LongZou	2012.03.14	2	SK05-210009NL
PROJ. ENG: Li Zi Bi,ao	2012.03.14	Total 1	REV: A
APPROVED BY: SkyGuo	2012.03.14	2	DWG NO: CSAK-0502