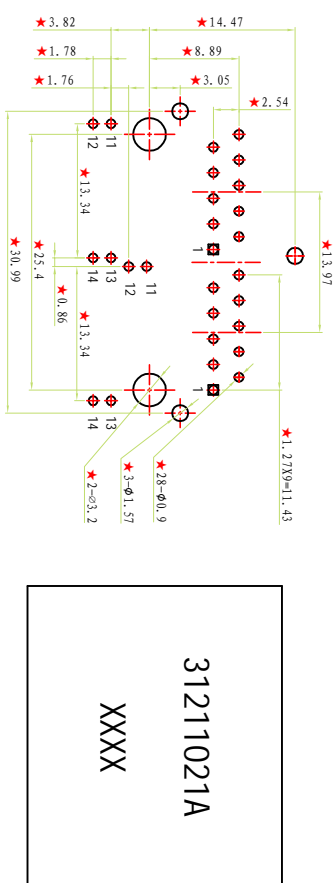
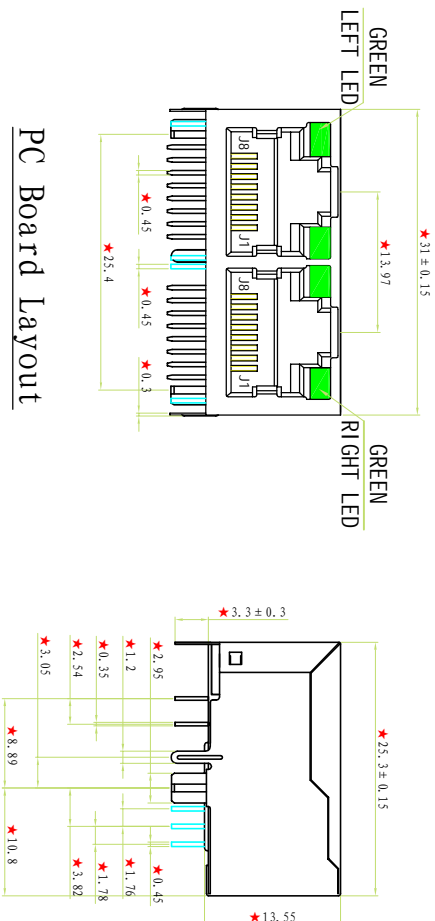


# 1、MECHANICAL (产品外观结构)



**ORDER INFORMATION:**  
 SK04-G21 1 021A NL (Y/N)  
 A B C D E F

A: IT STANDS FOR THE DIFFERENT R45 DESIGNING OF COMPANY, SUCH AS "SK" STANDS FOR COMPANY BUT "XX" STANDS FOR THE SERIES NUMBER OF DIFFERENT PRODUCTS.  
 B: THE PARTS ARE SINGLE OR MULTIPORTS, SUCH AS SK01-11XXXX, IT MEANS 1X1 SINGLE PORT, SK01-21XXXX; MEANS 2X1 OR 1X2; IT IS A DUAL PORTS R45 FILTERED CONNECTOR. "G" THE MEAN IS 1000BASE REQUIREMENT.  
 C: TELLS IT IS A LEDS VERSION OR NOT, "1" MEANS WITH LEDS, "0" OR ELSE IS WITHOUT LEDS.  
 D: IT STANDS FOR THE PARTS'S SERIES NO.  
 E: NL=ROHS COMPLAINT.  
 F: CONTACT PLATING CODE: NORMAL TYPE IS NO MARK, IT STANDS THANDS THE CONTACT AREA OF CONTACT PIN IS 6U" 60ID PLATING, MORE THAN 6U" NEED MARK 15 OR 30 OR 50, ETC.

REV.	DESCRIPTION	ECN NO.	DATE
A	FIRST RELEASE		2012.05.30



## GENERAL SPECIFICATION

**DESCRIPTION**  
 ◆ 10/100/1000 BASE-TX RJ45 1X2 TAB-UP WITH LEDS INTEGRATED MAGNETICS CONNECTOR ICM.

### FEATURES AND BENEFITS

- ◆ ROHS PEAK WAVE SOLDER TEMPERATURE RATING 260° C.
- ◆ RJ45 1X2 10-PIN WITH INTERNAL MAGNETIC;
- ◆ SUITABLE FOR CAT5 AND CAT6 FAST ETHERNET CABLE OR BETTER UTP.
- ◆ INTERNAL MANETICS: 100%ELECTRONICALLY TESTED FOR HI POT AND FUNCTIONALITY.

### ELECTRICAL PERFORMANCE SUMMARY

- ◆ MBETS IEBE802.3 SPECIFICATION AND 350uh MINIMUM OCL WITH 8mA BIAS CURRENT.
- ◆ HIGH PERFORMANCE FOR MAXIMUM EMI SUPPRESSION.

### TEMPERATURE PERFORMANCE

- ◆ STORAGE TEMPERATURE RANGE: -25° C TO +85° C.
- ◆ OPERATION TEMPERATURE RANGE: -40° C TO +70° C.

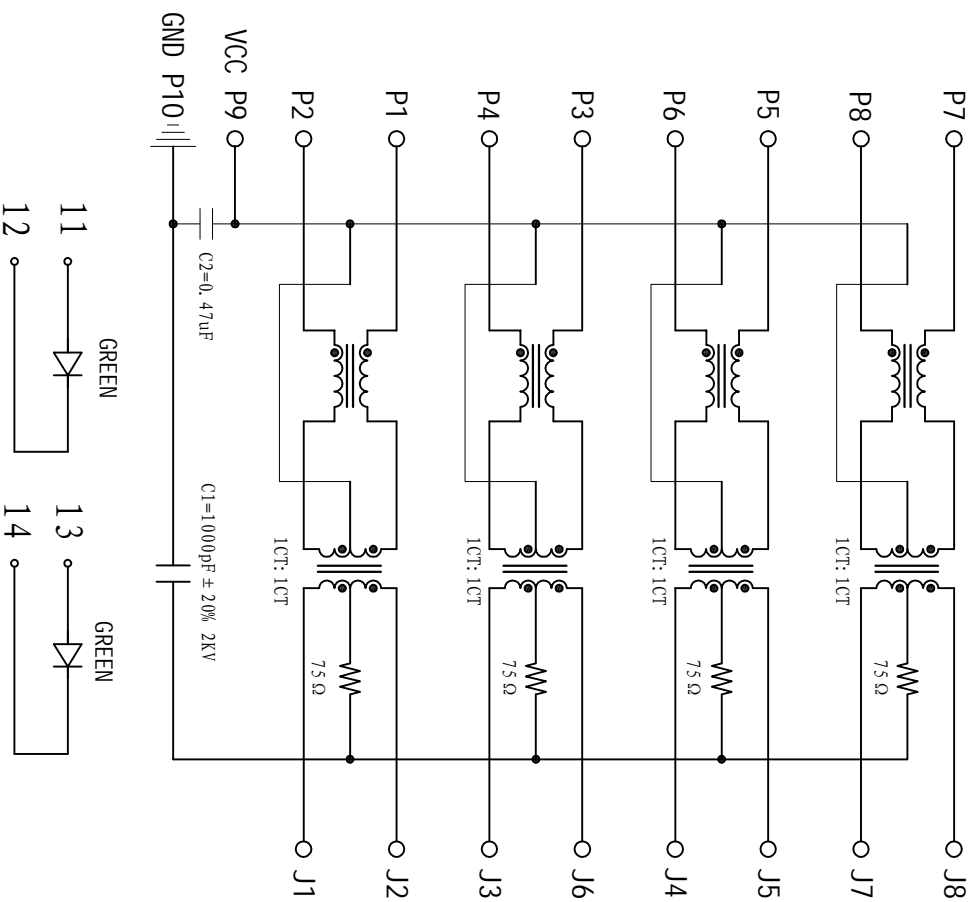
### MATERIAL SPECIFICATION

- ◆ SHIELD: BRASS, 0.2mm THICKNESS WITH NICKEL PLATED.
- ◆ PLASTIC: PA6T (GLASS FIBER, UL94V-0)。
- ◆ SOLDERING MATERIAL: 99.3%Sn0.3%Cu.
- ◆ CONTACT: PHOSPHOR BRONZE, 0.35mm THICKNESS, HARD GOLD PLATED OVER TIN GOLD PLATING: 30 μ " INCH

dimension	TOLERANCE RATE		
	A	B	C
0-4	±0.05	0.10	±0.20
4-16	0.08	0.15	0.30
16-64	0.12	0.25	0.50
64-250	0.25	0.40	0.80

<b>CSAK</b> ® ELECTRONICS CO., LTD		TITLE: 10/100/1000 BASE-TX 1X2 TAB-UP RJ45 WITH LED	
SIGNATURE	DATE	Page	PART NO:
LongZou	2012.05.30	1	SK04-G211021ANL
CHECK Li Zi Biao	2012.05.30	Total 1	DWG NO:
APPROVED SkyGuo	2012.05.30	1	CSAK-0436

## 2、ELECTRONICAL (产品电子原理图)



LEFT LED RIGHT LED

ORDER INFORMATION:  
SK04-G211021A-NL-(X)/N  
A B C D E F

- A: IT STANDS FOR THE DIFFERENT RJ45 DESIGNING OF COMPANY. SUCH AS "SK" STANDS FOR COMPANY BUT "XX" STANDS FOR THE SERIES NUMBER OF DIFFERENT PRODUCTS.  
B: THE PARTS ARE SINGLE OR MULTI-PORTS. SUCH AS SK01-11XXXX, IT MEANS 1X1 SINGLE PORT, SK01-21XXXX, MEANS 2X1 OR 1X2, IT IS A DUAL PORTS RJ45 FILTERED CONNECTOR. "G" THE MEAN IS 1000BASE REQUIREMENT.  
C: TELLS IT IS A LEDS VERSION OR NOT, "1" MEANS WITH LEDS, "0" OR ELSE IS WITHOUT LEDS.  
D: IT STANDS FOR THE PARTS'S SERIES NO.  
E: NL=ROHS COMPLAINT.  
F: CONTACT PLATING CODE: NORMAL TYPE IS NO MARK. IT STANDS THANDS THE CONTACT AREA OF CONTACT PIN IS 6U" GOLD PLATING. MORE THAN 6U" NEED MARK 15 OR 30 OR 50. ETC.

REV.	DESCRIPTION	ECN NO.	DATE
A	FIRST RELEASE		2012.05.30



## ELECTRICAL SPECIFICATIONS

- ◆ ALL TEST CONDITIONS @ 25°C UNLESS OTHERWISE NOTED.
- ◆ TURN RATIO:  
TX, SECONDARY : PRIMARY= 1CT: 1CT ± 3%.  
RX, SECONDARY : PRIMARY= 1CT: 1CT ± 3%.
- ◆ OCL: 350uH MIN, 8mA DC BIAS CURRENT.
- ◆ INSERTION LOSS: 1-100MHZ-1.0DB MAX.  
1MHZ TO 10MHZ : -1.8DB MIN.  
10MHZ TO 30MHZ : -1.6DB MIN.  
30MHZ TO 60MHZ : -1.4DB MIN.  
60MHZ TO 80MHZ : -1.2DB MIN.  
80MHZ TO 100MHZ : -1.0DB MIN.
- ◆ CROSSTALK:  
1 - 30MHZ -40.0dB MIN  
30 - 60MHZ -35.0dB MIN  
60 - 100MHZ -30.0dB MIN
- ◆ COMMON MODE REJECTION: 1-100MHZ : -35DB MIN.
- ◆ HIPOT: 1500V AC 1mA 6S.
- ◆ CAPACITOR: C1=1000pF ± 20% 2KV, C2=0.47uF ± 20%.
- ◆ RESISTANCE: 75OHMS ± 20%.
- ◆ RESISTANCE OF COIL: 1.80HMS MAX, 0.250HMS MIN.
- ◆ LEFT LED COLOR: GREEN; RIGHT LED COLOR: GREEN.

<b>CSAK</b> ® ELECTRONICS CO., LTD		TITLE: 10/100/1000 BASE-TX 1*2 TAB-UP RJ45 WITH LED	
		PART NO: <b>SK04-G211021ANL</b>	DWG NO: <b>CSAK-0436</b>
SIGNATURE	DATE	Page	REV: A
DRAWING LongZou	2012.05.30	2	
CHECK Li Zi Biao	2012.05.30	Total	
APPROVED SkyGuo	2012.05.30	2	