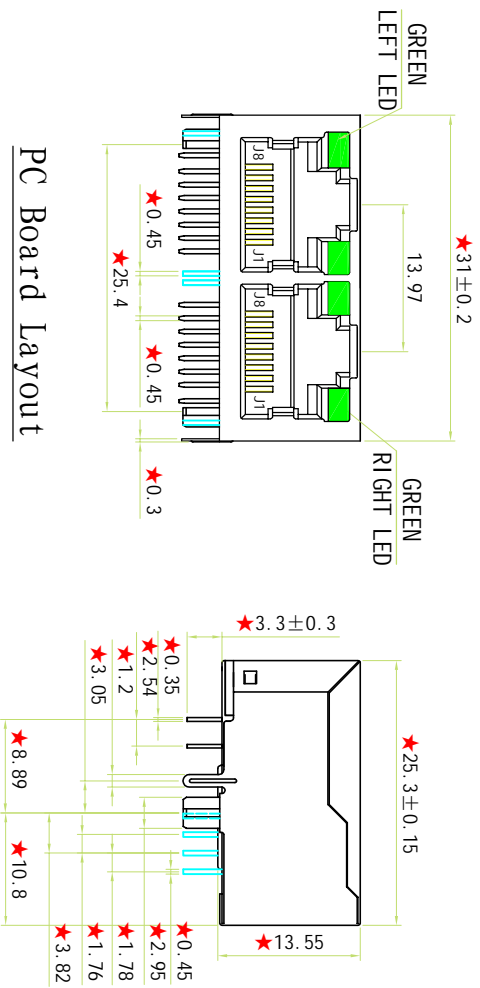
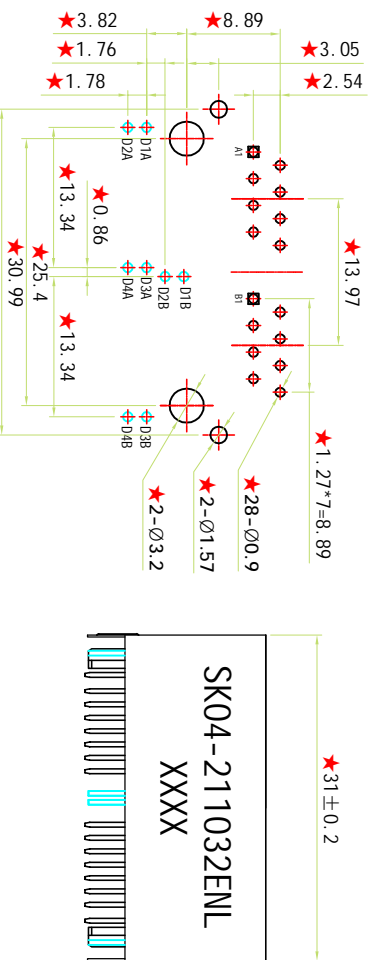


1、MECHANICAL (产品外观结构)



PC Board Layout



REV.	DESCRIPTION	ECN NO.	DATE
A			2013.09.10

GENERAL SPECIFICATION

DESCRIPTION

- ◆ 10/100 BASE-TX RJ45 1*2 TAB-UP WITH LEADS

INTEGRATED MAGNETICS CONNECTOR ICM.

FEATURES AND BENEFITS

- ◆ ROHS PEAK WAVE SOLDER TEMPERATURE RATING 260° C.
- ◆ RJ45 1*2 8-PIN WITH INTERNAL MAGNETIC;
- ◆ SUITABLE FOR CAT5 AND CAT6 FAST ETHERNET CABLE OR BETTER UTP.
- ◆ INTERNAL MANETICS: 100%ELECTRONICALLY TESTED FOR HI POT AND FUNCTIONALITY.
- ◆ IN ACCORDING WITH FCC PART 68 AND IEBE 802.3.

ELECTRICAL PERFORMANCE SUMMARY

- ◆ MEETS IEBE802.3 SPECIFICATION AND 350uH MINIMUM OCL WITH 8mA BIAS CURRENT.

- ◆ HIGH PERFORMANCE FOR MAXIMUM EMI SUPPRESSION.

TEMPERATURE PERFORMANCE

- ◆ STORAGE TEMPERATURE RANGE: 0° C TO +85° C.
- ◆ OPERATION TEMPERATURE RANGE: -20° C TO +85° C.

MATERIAL SPECIFICATION

- ◆ SHEILD: BRASS, 0.2mm THICKNESS WITH NICKEL PLATED.
- ◆ HOUSING: PBT (30% GLASS FIBER, UL94U-0) .
- ◆ SOLDERING MATERIAL: 99.3%Sn0.3%Cu.
- ◆ CONTACT: PHOSPHOR BRONZE, 0.35mm THICKNESS, HARD GOLD PLATED OVER TIN GOLD PLATING:

< 3 μ " INCH	3 μ " INCH	6 μ " INCH	<input checked="" type="checkbox"/>
15 μ " INCH	30 μ " INCH	50 μ " INCH	<input type="checkbox"/>

dimension	TOLERANCE RATE		
	A	B	C
0-4	±0.05	±0.10	±0.20
4-16	±0.08	±0.15	±0.30
16-64	±0.12	±0.25	±0.50
64-250	±0.25	±0.40	±0.80

CSAK ELECTRONICS CO., LTD

TITLE: 10/100 BASE-TX 1*2
TAB-UP RJ45 WITH LED

SIGNATURE

DATE

Page

PART NO:

SK04-211032ENL

DRAWING

Li Hai

2013.09.10

1

CHECK

Li Zi Biao

2013.09.10

1

APPROVED

Sky Guo

2013.09.10

Total

9

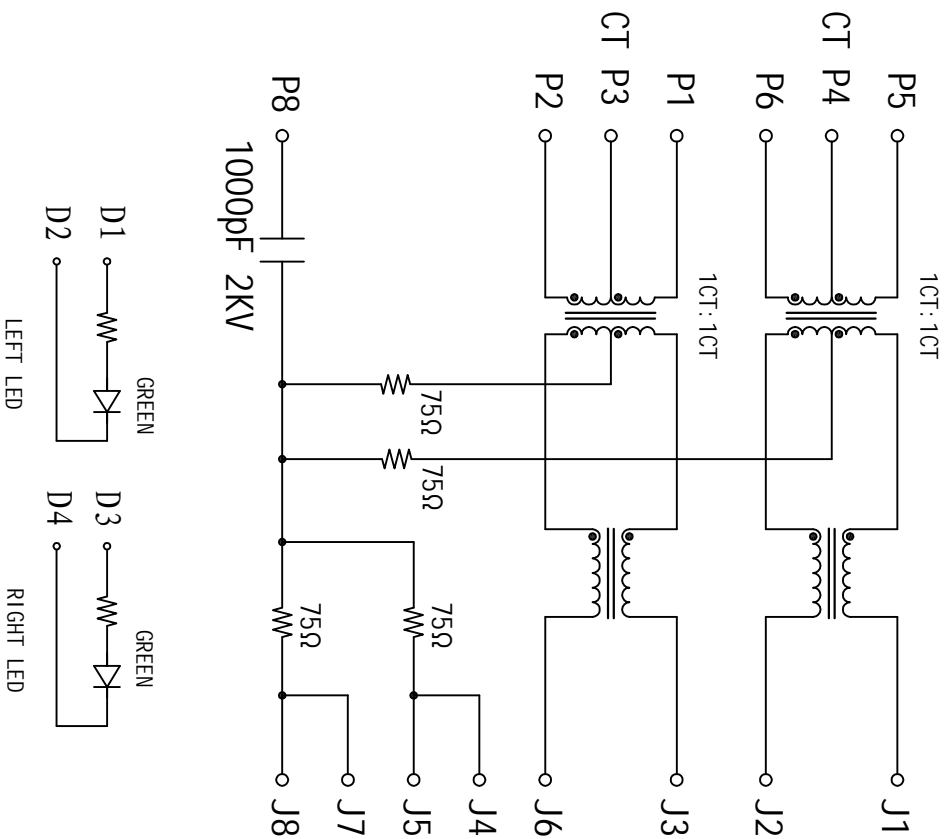
REV: A

CSAK-042H003



ORDER INFORMATION:
 SK04-211032E NL-(Y/N)
 A B C D E F
 A: IT STANDS FOR THE DIFFERENT RJ45 DESIGNING OF COMPANY, SUCH AS "SK" STANDS FOR COMPANY BUT "XX" STANDS FOR THE SERIES NUMBER OF DIFFERENT PRODUCTS.
 B: THE PARTS ARE SINGLE OR MULTI-PORTS, SUCH AS SK01-11XXXX, IT MEANS 1X1 SINGLE PORT, SK01-21XXXX MEANS 2X1 OR 1X2, IT IS A DUAL PORTS RJ45 FILTERED CONNECTOR. "G" THE MEANS IS 1000BASE REQUIREMENT.
 C: TELLS IT IS A LEADS VERSION OR NOT, "1" MEANS WITH LEADS, "0" OR ELSE IS WITHOUT LEADS.
 D: IT STANDS FOR THE PARTS S SERIES NO.
 E: NI=ROHS COMPLAINT.
 F: CONTACT PLATING CODE: NORMAL TYPE IS NO MARK, IT STANDS THANDS THE CONTACT AREA OF CONTACT PIN IS 6U" GOLD PLATING, MORE THAN 6U" NEED MARK 15 OR 30 OR 50, ETC.

2、ELECTRONICAL (产品电子原理图)



ORDER INFORMATION:
SK04-211032E NL-(X/N)

A B C D E F

A: IT STANDS FOR THE DIFFERENT R45 DESIGNING OF COMPANY, SUCH AS "SK" STANDS FOR COMPANY BUT "XX" STANDS FOR THE SERIES NUMBER OF DIFFERENT PRODUCTS.

B: THE PARTS ARE SINGLE OR MULTI-PORTS, SUCH AS SK01-11XXXX, IT MEANS 1X1 SINGLE PORT, SK01-21XXXX MEANS 2X1 OR 1X2, IT IS A DUAL PORTS R45 FILTERED CONNECTOR. "C" THE MEAN IS 1000BASE REQUIREMENT.

C: TELLS IT IS A LEDS VERSION OR NOT. "1" MEANS WITH LEDS, "0" OR ELSE IS WITHOUT LEDS.

D: IT STANDS FOR THE PARTS S SERIES NO.

E: NL=ROHS COMPLAINT.

F: CONTACT PLATING CODE: NORMAL TYPE IS NO MARK, IT STANDS THANDS THE CONTACT AREA OF CONTACT PIN IS 6U" 60ID PLATING, MORE THAN 6U" NEED MARK 15 OR 30 OR 50, ETC.

REV.	DESCRIPTION	ECN NO.	DATE
A			2013.09.10

ELECTRICAL SPECIFICATIONS

- ◆ ALL TEST CONDITIONS@25°C UNLESS OTHERWISE NOTED.
- ◆ TURN RATIO:
 - TX, SECONDARY : PRIMARY= 1CT: 1CT ± 3%.
 - RX, SECONDARY : PRIMARY= 1CT: 1CT ± 3%.
- ◆ OCL: 350µH MIN, 8mA DC BIAS CURRENT.
- ◆ INSERTION LOSS: 1-100MHZ-1.0dB MAX.
- ◆ RETURN LOSS: 1MHZ TO 10MHZ : -18dB MIN.
10MHZ TO 30MHZ : -16dB MIN.
30MHZ TO 60MHZ : -14dB MIN.
60MHZ TO 80MHZ : -12dB MIN.
80MHZ TO 100MHZ : -10dB MIN.
- ◆ CROSSTALK: 1MHZ TO 100MHZ : -35dB MIN.
- ◆ COMMON MODE REJECTION: 1-100MHZ : -35dB MIN.
- ◆ HIPOT: 1500V AC 1mA 1S.
- ◆ CAPACITOR: 1000µF ± 25% 2KV.
- ◆ RESISTANCE: 75OHMS ± 20%.
- ◆ RESISTANCE OF COIL: 1.80HMS MAX, 0.25OHMS MIN.
- ◆ LEFT LED COLOR: GREEN; RIGHT LED COLOR: GREEN.

SIGNATURE		DATE	Page	PART NO:	REV: A	DWG NO:
DRAWING		Li Hai	2013.09.10	SK04-211032ENL	A	CSAK-042H003
CHECK		Li Zi Biao	2013.09.10			
APPROVED		Sky Guo	2013.09.10	Total		
			9			

CSAK

ELECTRONICS CO., LTD

TITLE: 10/100 BASE-TX 1*2
TAB-UP RJ45 WITH LED

