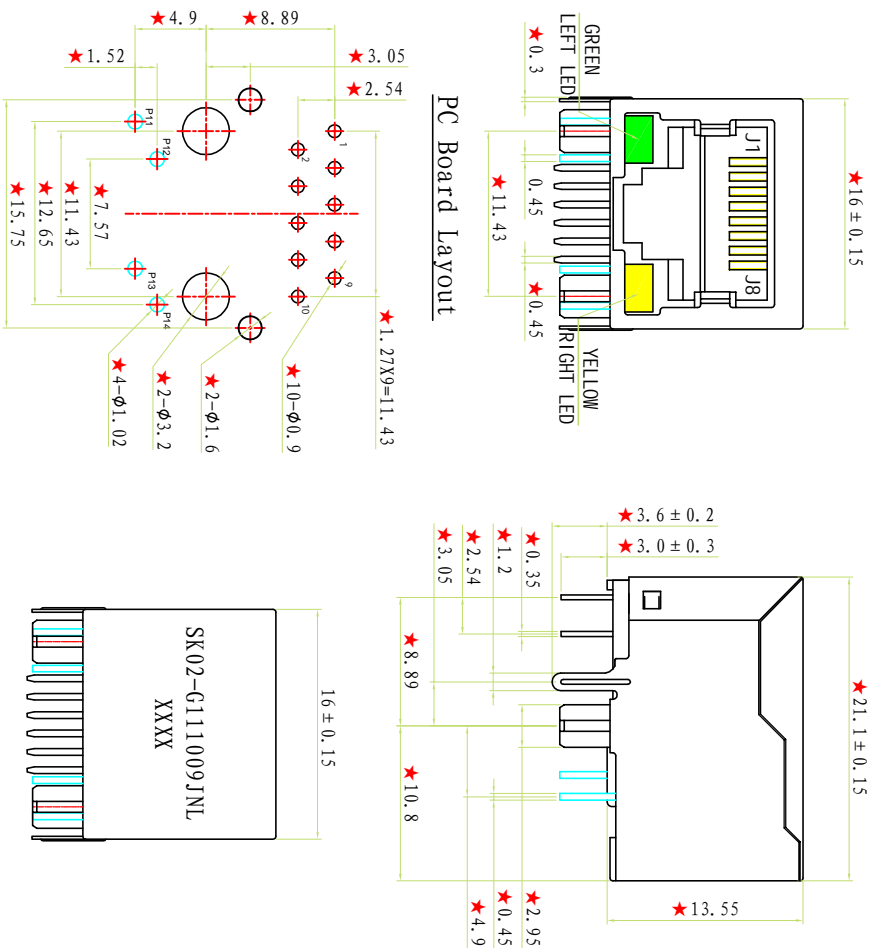


1、MECHANICAL



ORDER INFORMATION:
 SK02-G111009JNL-(C/N)
 A B C D E F

A: IT STANDS FOR THE DIFFERENT R145 DESIGNING OF COMPANY, SUCH AS "SK" STANDS FOR COMPANY BUT "XX" STANDS FOR THE SERIES NUMBER OF DIFFERENT PRODUCTS.
 B: THE PARTS ARE SINGLE OR MULTI-PORTS, SUCH AS SK01-11XXXX. IT MEANS 1X1 SINGLE PORT. SK01-21XXXX.MEANS 2X1 OR 1X2.IT IS A DUAL PORTS R145 FILTERED CONNECTOR. "G" THE MEANIS 1000BASE REQUIREMENT.
 C: TELLS IT IS A LEDS VERSION OR NOT. "1" MEANS WITH LEDS, "0"OR ELSE IS WITHOUT LEDS.
 D: IT STANDS FOR THE PARTS'S SERIES NO.
 E: NI=ROHS COMPLAINT.
 F: CONTACT PLATING CODE: NORMAL TYPE IS NO MARK, IT STANDS THANDS THE CONTACT AREA OF CONTACT PIN IS 6U" GOLD PLATING.MORE THAN 6U" NEED MARK 15 OR 30 OR 50.ETC.

| REVISIONS | | | |
|-----------|---------------|---------|------------|
| REV. | DESCRIPTION | ECN NO. | DATE |
| A | FIRST RELEASE | | 2013.09.24 |
| | | | |
| | | | |



GENERAL SPECIFICATION

DESCRIPTION
 ◆ 10/100/1000 ASE-TX RJ45 1X1 TAB-DOWN WITH LEDS
 INTEGRATED MAGNETICS CONNECTOR ICM.

FEATURES AND BENEFITS

- ◆ ROHS PEAK WAVE SOLDER TEMPERATURE RATING 260° C.
- ◆ RJ45 1X1 10-PIN WITH INTERNAL MAGNETIC;
- ◆ SUITABLE FOR CAT5 AND CAT6 FAST ETHERNET CABLE OR BETTER UTP.
- ◆ INTERNAL MANETICS:100%ELECTRONICALLY TESTED FOR HI POT AND FUNCTIONALITY.

ELECTRICAL PERFORMANCE SUMMARY

- ◆ MEETS IEEE802.3 SPECIFICATION AND 350uH MINIMUM OCL WITH 8mA BIAS CURRENT.

- ◆ HIGH PERFORMANCE FOR MAXIMUM EMI SUPPRESSION.

TEMPERATURE PERFORMANCE

- ◆ STORAGE TEMPERATURE RANGE:-25° C TO +85° C.
- ◆ OPERATION TEMPERATURE RANGE: 0° C TO +70° C.

MATERIAL SPECIFICATION

- ◆ SHIELD: BRASS, 0.2mm THICKNESS WITH NICKEL PLATED.
- ◆ HOUSING: PBT (30% GLASS FIBER, UL94U-0)。
- ◆ SOLDERING MATERIAL: 99.3%Sn0.3%Cu.
- ◆ CONTACT: PHOSPHOR BRONZE, 0.35mm THICKNESS, HARD GOLD PLATED OVER TIN GOLD PLATING:

- < 3 μ " INCH 3 μ " INCH 6 μ " INCH
- 15 μ " INCH 30 μ " INCH 50 μ " INCH

| dimension | TOLERANCE RATE | | |
|-----------|----------------|-------|-------|
| | A | B | C |
| 0~4 | ±0.05 | ±0.10 | ±0.20 |
| 4~16 | ±0.08 | ±0.15 | ±0.30 |
| 16~64 | ±0.12 | ±0.25 | ±0.50 |
| 64~250 | ±0.25 | ±0.40 | ±0.80 |



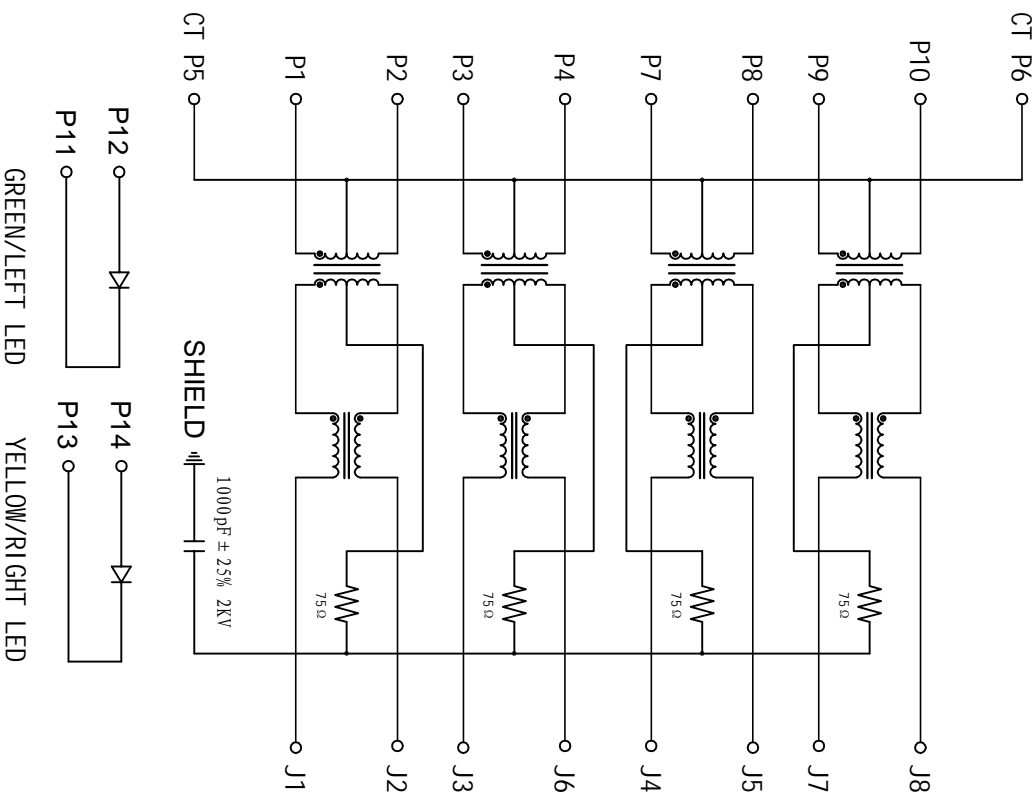
SAK ELECTRONICS CO., LTD

TITLE: 10/100/1000 BASE-TX 1x1
 TAB-DOWN RJ45 WITH LED

| APPROVALS | | Date | Page | PART NO: | REV: A | DWG NO: |
|--------------|-------------|------------|---------|-----------------|--------|--------------|
| DRAWN BY: | Li Hai | 2013.09.24 | 1 | SK02-G111009JNL | A | CSAK-021G008 |
| PROJ. ENG: | Li Zi Bi ao | 2013.09.24 | 1 | | | |
| APPROVED BY: | SkyGuo | 2013.09.24 | Total 1 | | | |
| | | | 2 | | | |



2、ELECTRONICAL



ORDER INFORMATION:

SK02-G11 1 009J NL-(Y/N)

A B C D E F

A: IT STANDS FOR THE DIFFERENT R145 DESIGNING OF COMPANY. SUCH AS "SK" STANDS FOR COMPANY BUT "XX" STANDS FOR THE SERIES NUMBER OF DIFFERENT PRODUCTS.

B: THE PARTS ARE SINGLE OR MULTI-PORTS: SUCH AS SK01-11XXXX. IT MEANS 1X1 SINGLE PORT, SK01-21XXXX MEANS 2X1 OR 1X2.IT IS A DUAL PORTS R145 FILTERED CONNECTOR. "G" THE MEAN IS 1000BASE REQUIREMENT.

C: TELLS IT IS A LEDS VERSION OR NOT. "1" MEANS WITH LEDS, "0"OR ELSE IS WITHOUT LEDS.

D: IT STANDS FOR THE PARTS 'S SERIES NO.

E: NL=ROHS COMPLAINT.

F: CONTACT PLATING CODE: NORMAL TYPE IS NO MARK. IT STANDS THANDS THE CONTACT AREA OF CONTACT PIN IS 6U" GOLD PLATING MORE THAN 6U" NEED MARK 15 OR 30 OR 50.ETC.

ELECTRICAL SPECIFICATIONS

- ◆ ALL TEST CONDITIONS@25°C UNLESS OTHERWISE NOTED.
- ◆ TURN RATIO:
 - TX, SECONDARY : PRIMARY= 1CT:1 ± 3%.
 - RX, SECONDARY : PRIMARY= 1CT:1 ± 3%.
- ◆ OCL: 350uH MIN, 8mA DC BIAS CURRENT.
- ◆ INSERTION LOSS: 1-100MHZ-1.0dB MAX.
- ◆ RETURN LOSS: 1MHZ TO 10MHZ : -18dB MIN.
 10MHZ TO 30MHZ : -16dB MIN.
 30MHZ TO 60MHZ : -14dB MIN.
 60MHZ TO 80MHZ : -12dB MIN.
 80MHZ TO 100MHZ : -10dB MIN.
- ◆ CROSSTALK: 1MHZ TO 100MHZ : -35dB MIN.
- ◆ COMMON MODE REJECTION: 1-100MHZ : -35dB MIN.
- ◆ HIPOT: 1500V AC 1mA 1S.
- ◆ CAPACITOR: 1000pF ± 25% 2KV.
- ◆ RESISTANCE: 75OHMS ± 20%.
- ◆ RESISTANCE OF COIL: 1.80HMS MAX, 0.25OHMS MIN.
- ◆ LEFT LED COLOR: GREEN; RIGHT LED COLOR: YELLOW.

| | | | |
|--------------------------|------------|--|------------------------------------|
| SAK ELECTRONICS CO., LTD | | TITLE: 10/100/1000 BASE-TX 1X1 TAB-DOWN R145 WITH LED | |
| APPROVALS | | Date | Page |
| DRAWN BY: Li Hai | 2013.09.24 | 2 | PART NO: SK02-G111009JNL |
| PROJ. ENG: Li Zi Bi ao | 2013.09.24 | Total 1 | |
| APPROVED BY: SkyGuo | 2013.09.24 | 2 | |
| | | REV: A | DWG NO: CSAK-021G008 |