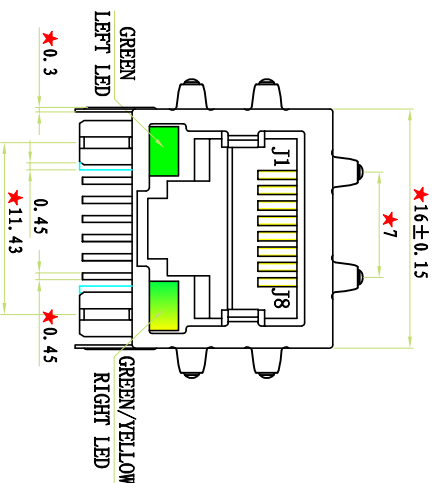
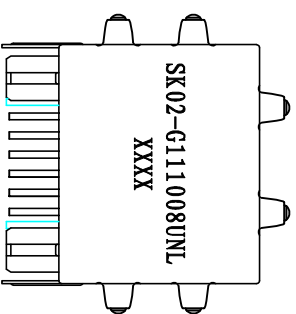
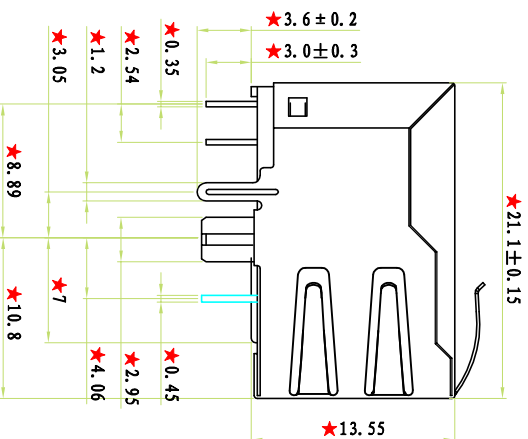
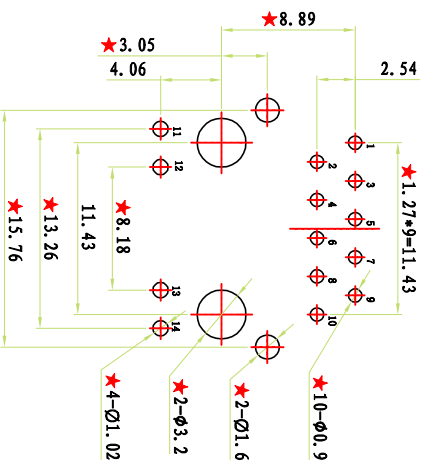


1、MECHANICAL (产品外观结构)



PC Board Layout



REV.	DESCRIPTION	ECN NO.	DATE
A	FIRST RELEASE		2013.06.24



GENERAL SPECIFICATION

DESCRIPTION

- ◆ 10/100/1000 BASE-TX RJ45 1*1 TAB-DOWN WITH LEADS INTEGRATED MAGNETICS CONNECTOR ICM.

FEATURES AND BENEFITS

- ◆ ROHS PEAK WAVE SOLDER TEMPERATURE RATING 260° C.
- ◆ RJ45 1*1 10-PIN WITH INTERNAL MAGNETIC;
- ◆ SUITABLE FOR CAT5 AND CAT6 FAST ETHERNET CABLE OR BETTER UTP.
- ◆ INTERNAL MAGNETICS:100%ELECTRONICALLY TESTED FOR HI POT AND FUNCTIONALITY.
- ◆ IN ACCORDING WITH FCC PART 68.

ELECTRICAL PERFORMANCE SUMMARY

- ◆ MEETS IEEE802.3 SPECIFICATION AND 350uH MINIMUM OCL WITH 8mA BIAS CURRENT.
- ◆ HIGH PERFORMANCE FOR MAXIMUM EMI SUPPRESSION.

TEMPERATURE PERFORMANCE

- ◆ STORAGE TEMPERATURE RANGE:-25° C TO +85° C.
- ◆ OPERATION TEMPERATURE RANGE: 0° C TO +70° C.

MATERIAL SPECIFICATION

- ◆ SHIELD: BRASS, 0.2mm THICKNESS WITH NICKEL PLATED.
- ◆ HOUSING: PBT (30% GLASS FIBER, UL94V-0) .
- ◆ SOLDERING MATERIAL: 99.3%Sn0.3%Cu.
- ◆ CONTACT: PHOSPHOR BRONZE, 0.35mm THICKNESS, HARD GOLD PLATED OVER TIN GOLD PLATING:

- < 3 μ " INCH 3 μ " INCH 6 μ " INCH
- 15 μ " INCH 30 μ " INCH 50 μ " INCH

Dimension	TOLERANCE RATE		
	A	B	C
0-4	0.05	0.10	0.20
4-16	0.08	0.15	0.30
16-64	0.12	0.25	0.50
64-250	0.25	0.40	0.80

CSAK ELECTRONICS CO., LTD

TITLE: 10/100/1000 BASE-TX 1*1
TAB-DOWN RJ45 WITH LED

SIGNATURE	DATE	Page	PART NO:
DRAWING	He Qiao	2013.06.24	1
CHECK	Luo Chao	2013.06.24	1
APPROVED	Sky Guo	2013.06.24	Total
			2

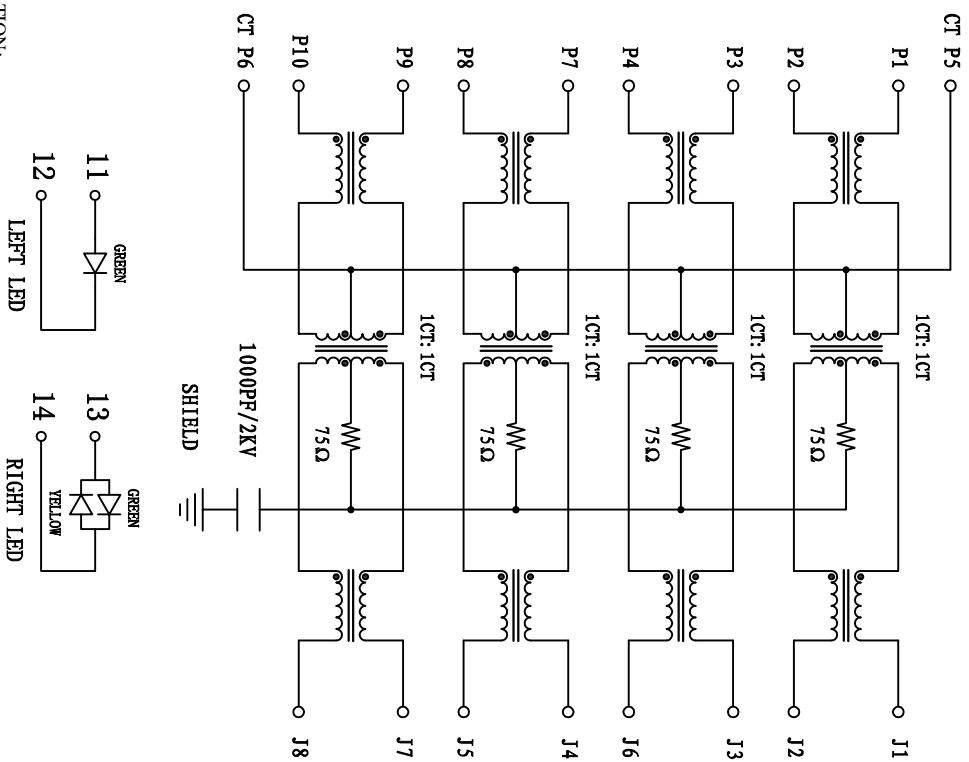
SK02-G111008UNL

REV: A DWG NO: CSAK-021G003

ORDER INFORMATION:
SK02-G11 1 008U NL - (Y/N)
A B C D E F

A: IT STANDS FOR THE DIFFERENT RJ45 DESIGNING OF COMPANY ,SUCH AS "SK" STANDS FOR COMPANY BUT "XX" STANDS FOR THE SERIES NUMBER OF DIFFERENT PRODUCTS.
B: THE PARTS ARE SINGLE OR MULT-PORTS: SUCH AS SK01-11XXXX , IT MEANS 1X1 SINGLE PORT, SK01-21XXXX,MEANS 2X1 OR 1X2,IT IS A DUAL PORTS RJ45 FILTERED CONNECTOR. "G" THE MEANS IS 1000BASE REQUIREMENT.
C: TELLS IT IS A LEADS VERSION OR NOT. "I" MEANS WITH LEADS, "0"OR ELSE IS WITHOUT LEADS.
D: IT STANDS FOR THE PARTS'S SERIES NO.
E: NL=ROHS COMPLAINT.
F: CONTACT PLATING CODE: NORMAL TYPE IS NO MARK, IT STANDS THANDS THE CONTACT AREA OF CONTACT PINS IS 6U" GOLD PLATING.MORE THAN 6U" NEED MARK IS 0R 30 OR 50,ETC.

2、ELECTRONICAL (产品电子原理图)



ORDER INFORMATION:
 SK02-G11 1 008U NL - (V/N)

A B C D E F

- A: IT STANDS FOR THE DIFFERENT R445 DESIGNING OF COMPANY ,SUCH AS "SK" STANDS FOR COMPANY BUT "XX" STANDS FOR THE SERIES NUMBER OF DIFFERENT PRODUCTS.
 B: THE PARTS ARE SINGLE OR MULTI-PORTS; SUCH AS SK01-11XXXX , IT MEANS 1X1 SINGLE PORT, SK01-21XXXX,MEANS 2X1 OR 1X2,IT IS A DUAL PORTS R445 FILTERED CONNECTOR. "G" THE MEANS 1000BASE REQUIREMENT.
 C: TELLS IT IS A LEDS VERSION OR NOT, "1" MEANS WITH LEDS, "0"OR ELSE IS WITHOUT LEDS.
 D: IT STANDS FOR THE PARTS'S SERIES NO.
 E: NL=ROHS COMPLAINT.
 F: CONTACT PLATING CODE: NORMAL TYPE IS NO MARK, IT STANDS THANDS THE CONTACT AREA OF CONTACT PIN IS 6U" GOLD PLATING;MORE THAN 6U" NEED MARK 15 OR 30 OR 50,ETC.

REV.	DESCRIPTION	ECN NO.	DATE
A	FIRST RELEASE		2013.06.24



ELECTRICAL SPECIFICATIONS

- ◆ ALL TEST CONDITIONS@25°C UNLESS OTHERWISE NOTED.
- ◆ TURN RATIO:
 TX, SECONDARY : PRIMARY= 1CT:1CT ±3%。
 RX, SECONDARY : PRIMARY= 1CT:1CT ±3%。
- ◆ OCL: 350uH MIN, 8mA DC BIAS CURRENT.
- ◆ INSERTION LOSS: 1-100MHZ-1.0DB MAX.
- ◆ RETURN LOSS: 1MHZ TO 10MHZ :-18DB MIN.
 10MHZ TO 30MHZ :-16DB MIN.
 30MHZ TO 60MHZ :-14DB MIN.
 60MHZ TO 80MHZ :-12DB MIN.
 80MHZ TO 100MHZ :-10DB MIN.
- ◆ CROSSTALK: 1MHZ TO 100MHZ :-35DB MIN.
- ◆ COMMON MODE REJECTION: 1-100MHZ :-35DB MIN.
- ◆ HIPOT: 150V AC 1mA 1S.
- ◆ CAPACITOR: C=1000PF±25% 2KV
- ◆ RESISTANCE: 75OHMS ±20%。
- ◆ RESISTANCE OF COIL: 1.8OHMS MAX, 0.25OHMS MIN.
- ◆ LEFT LED COLOR: GREEN; RIGHT LED COLOR: GREEN/YELLOW。

CSAK ® ELECTRONICS CO., LTD		SIGNATURE		DATE		PART NO: SK02-G111008U NL	TITLE: 10/100/1000 BASE-TX 1*1 TAB-DOWN RJ45 WITH LED	
		DRAWING		He Qiao			Page	
		CHECK		Luo Chao			2	
		APPROVED		Sky Guo			Total	
				2013.06.24		2	REV: A	
				2013.06.24			DWG NO: CSAK-021G003	