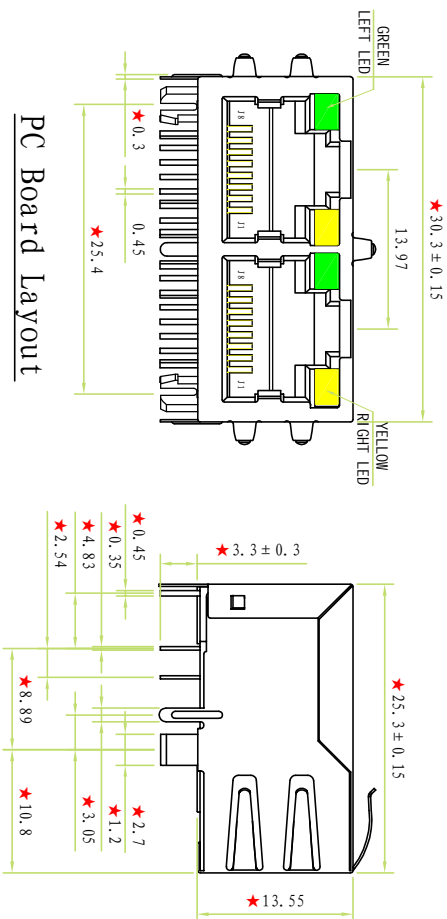
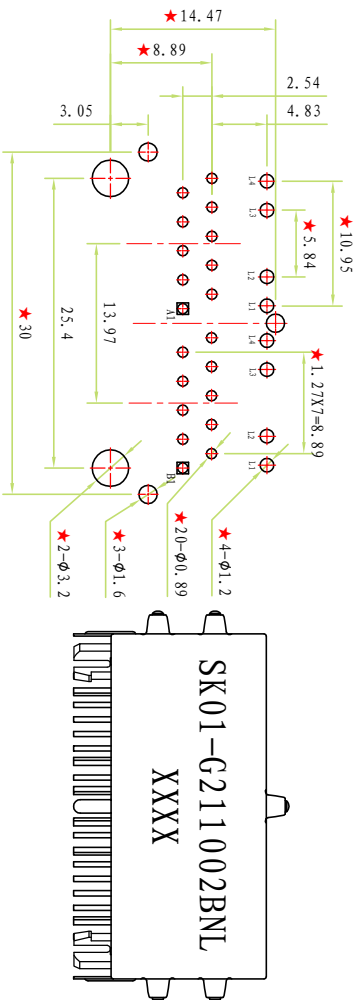


# 1、MECHANICAL



PC Board Layout



ORDER INFORMATION:  
 SK01-G211002B NL-(Y/N)  
 A B C D E F  
 A: IT STANDS FOR THE DIFFERENT RJ45 DESIGNING OF COMPANY, SUCH AS "SK" STANDS FOR COMPANY BUT "XX" STANDS FOR THE SERIES NUMBER OF DIFFERENT PRODUCTS.  
 B: THE PARTS ARE SINGLE OR MULTI-PORTS, SUCH AS SK01-1XXXX, IT MEANS 1X1 SINGLE PORT, SK01-21XXXX, MEANS 2X1 OR 1X2, IT IS A DUAL PORTS RJ45 FILTERED CONNECTOR, "G" THE MEANS 1000BASE REQUIREMENT.  
 C: TELLS IT IS A LEDS VERSION OR NOT, "I" MEANS WITH LEDS, "0" OR ELSE IS WITHOUT LEDS.  
 D: IT STANDS FOR THE PARTS'S SERIES NO.  
 E: NI-ROHS COMPLAINT.  
 F: CONTACT PLATING CODE: NORMAL TYPE IS NO MARK, IT STANDS THANDS THE CONTACT AREA OF CONTACT PIN IS 6U" GOLD PLATING, MORE THAN 6U" NEED MARK 15 OR 30 OR 50, ETC.

## REVSIONS

| REV. | DESCRIPTION   | ECN NO. | DATE       |
|------|---------------|---------|------------|
| A    | FIRST RELEASE |         | 2012.05.25 |



## GENERAL SPECIFICATION

### DESCRIPTION

- ◆ 10/100/1000 BASE-TX RJ45 1X2 TAB-UP WITH LEDS INTEGRATED MAGNETICS CONNECTOR ICM.

### FEATURES AND BENEFITS

- ◆ ROHS PEAK WAVE SOLDER TEMPERATURE RATING 260° C.
- ◆ RJ45 1X2 10-PIN WITH INTERNAL MAGNETIC;
- ◆ SUITABLE FOR CAT5 AND CAT6 FAST ETHERNET CABLE OR BETTER UTP.
- ◆ INTERNAL MANETICS: 100% ELECTRONICALLY TESTED FOR HI POT AND FUNCTIONALITY.

### ELECTRICAL PERFORMANCE SUMMARY

- ◆ MEETS IEEE802.3 SPECIFICATION AND 350uH MINIMUM OCL WITH 8mA BIAS CURRENT.
- ◆ HIGH PERFORMANCE FOR MAXIMUM EMI SUPPRESSION.

### TEMPERATURE PERFORMANCE

- ◆ STORAGE TEMPERATURE RANGE: -25° C TO +85° C.
- ◆ OPERATION TEMPERATURE RANGE: 0° C TO +70° C.

### MATERIAL SPECIFICATION

- ◆ SHIELD: BRASS, 0.2mm THICKNESS WITH NICKEL PLATED.
- ◆ HOUSING: PBT (30% GLASS FIBER, UL94V-0).
- ◆ SOLDERING MATERIAL: 99.3%Sn0.3%Cu.
- ◆ CONTACT: PHOSPHOR BRONZE, 0.35mm THICKNESS, HARD GOLD PLATED OVER TIN GOLD PLATING:

- < 3 μ " INCH  3 μ " INCH  6 μ " INCH
- 15 μ " INCH  30 μ " INCH  50 μ " INCH

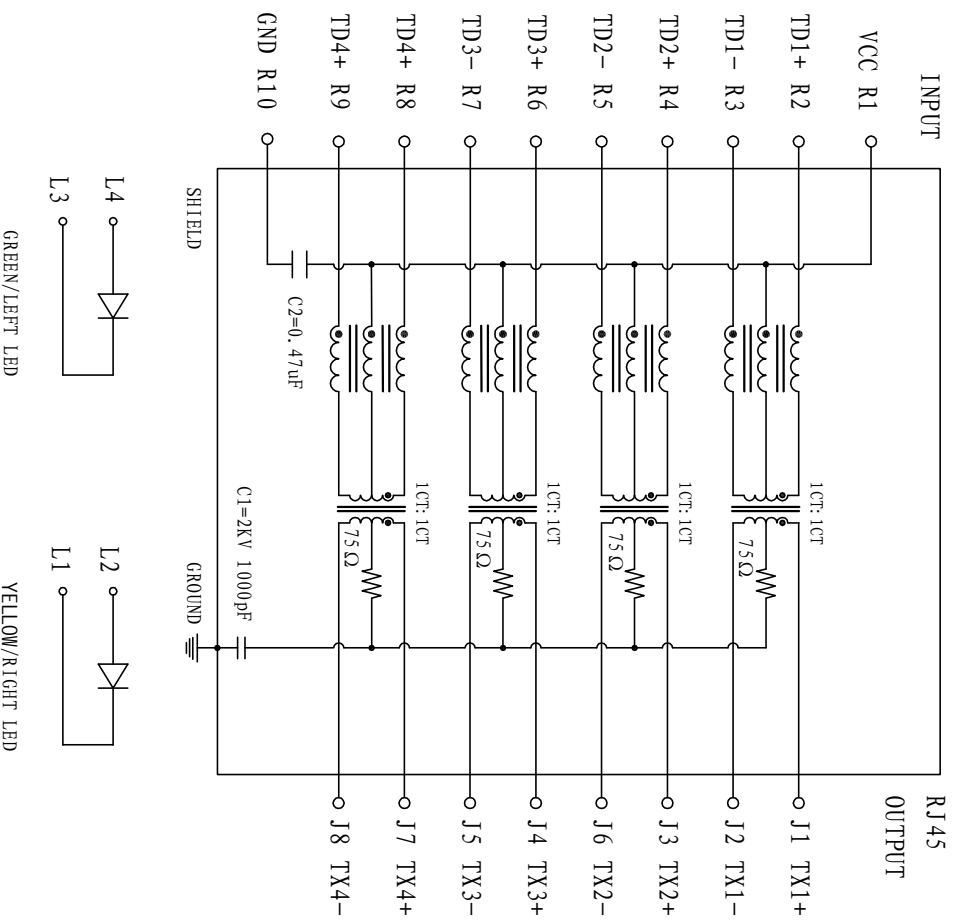
| dimension | TOLERANCE RATE |       |       |
|-----------|----------------|-------|-------|
|           | A              | B     | C     |
| 0~4       | ±0.05          | ±0.10 | ±0.20 |
| 4~16      | ±0.08          | ±0.15 | ±0.30 |
| 16~64     | ±0.12          | ±0.25 | ±0.50 |
| 64~250    | ±0.25          | ±0.40 | ±0.80 |

**CSAK** ELECTRONICS CO., LTD

TITLE: 10/100/1000 BASE-TX 1X2 TAB-UP RJ45 WITH LED

| APPROVALS    |            | Date       | Page    | PART NO:        | REV: A | DWG NO:   |
|--------------|------------|------------|---------|-----------------|--------|-----------|
| DRAWN BY:    | LongZou    | 2012.05.25 | 1       | SK01-G211002BNL | A      | CSAK-0187 |
| PROJ. ENG:   | Li Zi Biao | 2012.05.25 | 1       |                 |        |           |
| APPROVED BY: | SkyGuo     | 2012.05.25 | 2       |                 |        |           |
|              |            |            | Total 1 |                 |        |           |

## 2、ELECTRONICAL



## ELECTRICAL SPECIFICATIONS



- ◆ ALL TEST CONDITIONS@25°C UNLESS OTHERWISE NOTED.
- ◆ TURN RATIO:
  - TX, SECONDARY : PRIMARY= 1CT: 1CT ± 3%.
  - RX, SECONDARY : PRIMARY= 1CT: 1CT ± 3%.
- ◆ OCL: 350uH MIN, 8mA DC BIAS CURRENT.
- ◆ INSERTION LOSS: 1-100MHZ-1.0dB MAX.
- ◆ RETURN LOSS: 1MHZ TO 10MHZ : -18dB MIN.
  - 10MHZ TO 30MHZ : -16dB MIN.
  - 30MHZ TO 60MHZ : -14dB MIN.
  - 60MHZ TO 80MHZ : -12dB MIN.
  - 80MHZ TO 100MHZ : -10dB MIN.
- ◆ CROSSTALK: 1MHZ TO 100MHZ : -35dB MIN.
- ◆ COMMON MODE REJECTION: 1-100MHZ : -35dB MIN.
- ◆ HIPOT: 1500V AC 1mA 1S.
- ◆ CAPACITOR: C1=1000pF ± 25% 2KV, C2=0.47uF ± 20%.
- ◆ RESISTANCE: 75OHMS ± 20%.
- ◆ RESISTANCE OF COIL: 1.80HMS MAX, 0.250HMS MIN.
- ◆ LEFT LED COLOR: GREEN; RIGHT LED COLOR: YELLOW.

### ORDER INFORMATION:

SK01-G21 1 002B NL-(Y/N)

A B C D E F

A: IT STANDS FOR THE DIFFERENT, R145 DESIGNING OF COMPANY, SUCH AS "SK" STANDS FOR COMPANY BUT "XX" STANDS FOR THE SERIES NUMBER OF DIFFERENT PRODUCTS.

B: THE PARTS ARE SINGLE OR MULTI-PORTS, SUCH AS SK01-11XXXX, IT MEANS 1X1 SINGLE PORT, SK01-21XXXX, MEANS 2X1 OR 1X2, IT IS A DUAL PORTS. R145 FILTERED CONNECTOR, "G" THE MEANS 1000BASE REQUIREMENT.

C: TELLS IT IS A LEDS VERSION OR NOT, "1" MEANS WITH LEDS, "0" OR ELSE IS WITHOUT LEDS.

D: IT STANDS FOR THE PARTS'S SERIES NO.

E: NI=ROHS COMPLAINT.

F: CONTACT PLATING CODE: NORMAL TYPE IS NO MARK, IT STANDS THANDS THE CONTACT AREA OF CONTACT PIN IS 6U" GOLD PLATING, MORE THAN 6U" NEED MARK 15 OR 30 OR 50, ETC.

|                                    |            |                                |                   |
|------------------------------------|------------|--------------------------------|-------------------|
| <b>CSAK</b> ® ELECTRONICS CO., LTD |            | TITLE: 10/100/1000 BASE-TX 1X2 |                   |
|                                    |            | TAB-UP RJ45 WITH LED           |                   |
| APPROVALS                          | Date       | Page                           | PART NO:          |
| DRAWN BY: LongZou                  | 2012.05.25 | 2                              | SK01-G211002BNL   |
| PROJ. ENG: Li Zi Biao              | 2012.05.25 | 2                              |                   |
| APPROVED BY: SkyGuo                | 2012.05.25 | Total 1                        | REV: A            |
|                                    |            | 2                              | DWG NO: CSAK-0187 |