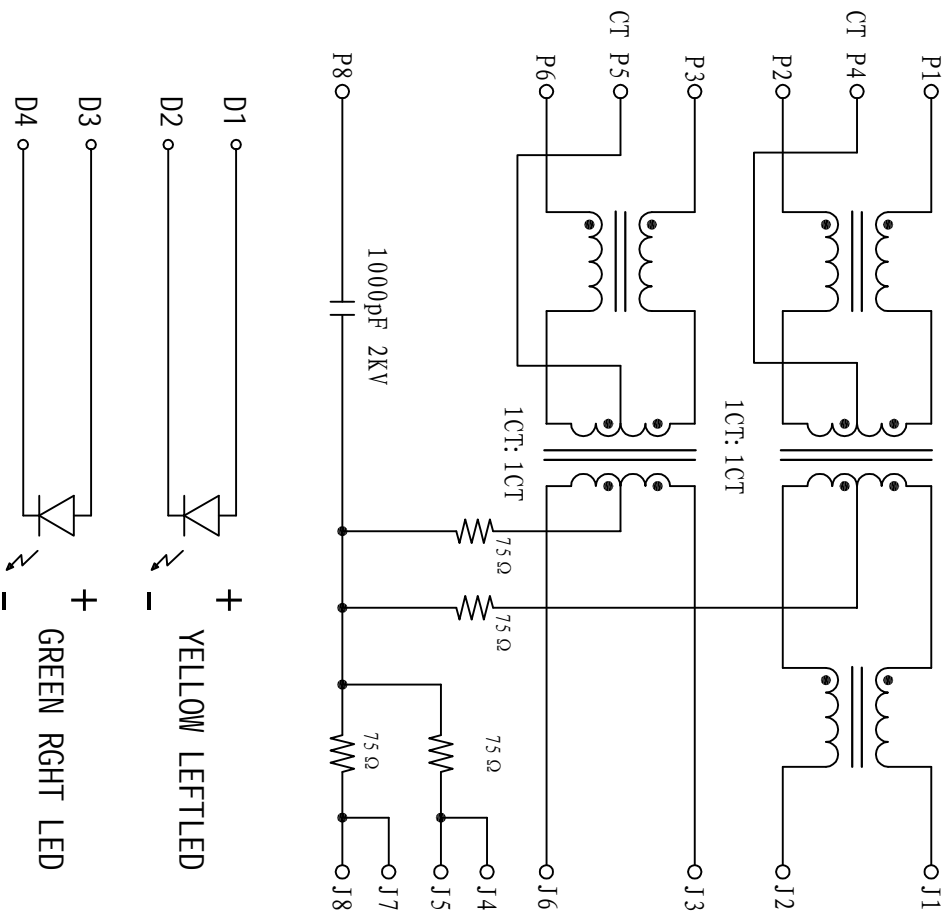


2、ELECTRONICAL (产品电子原理图)



ORDER INFORMATION:

XMH-SK01-41 1 002A NL-B-EU

A B C D E F

- A: IT STANDS FOR THE DIFFERENT RJ45 DESIGNING OF COMPANY. SUCH AS "SK" STANDS FOR COMPANY BUT "XX" STANDS FOR THE SERIES NUMBER OF DIFFERENT PRODUCTS.
 B: THE PARTS ARE SINGLE OR MULTI-PORTS; SUCH AS SK01-11XXXX, IT MEANS 1X1 SINGLE PORT, SK01-21XXXX, MEANS 2X1 OR 1X2, IT IS A DUAL PORTS RJ45 FILTERED CONNECTOR. "G" THE MEAN IS 1000BASE REQUIREMENT.
 C: TELLS IT IS A LEDS VERSION OR NOT. "1" MEANS WITH LEDS, "0" OR ELSE IS WITHOUT LEDS.
 D: IT STANDS FOR THE PARTS S SERIES NO.
 E: NL=ROHS COMPLAINT.
 F: CONTACT PLATING CODE: NORMAL TYPE IS NO MARK, IT STANDS THANDS THE CONTACT AREA OF CONTACT PINS IS 6U" GOLD PLATING, MORE THAN 6U" NEED MARK 15 OR 30 OR 50. ETC.

REV.	DESCRIPTION	ECN NO.	DATE
A	FIRST RELEASE		2011.05.05



ELECTRICAL SPECIFICATIONS

- ◆ ALL TEST CONDITIONS@25°C UNLESS OTHERWISE NOTED.
- ◆ TURN RATIO:
 TX, SECONDARY : PRIMARY= 1CT:1CT ± 3%.
 RX, SECONDARY : PRIMARY= 1CT:1CT ± 3%.
- ◆ OCL: 350uH MIN, 8mA DC BIAS CURRENT.
- ◆ INSERTION LOSS: 1-100MHZ-1.0dB MAX.
- ◆ RETURN LOSS: 1MHZ TO 10MHZ : -18dB MIN.
 10MHZ TO 30MHZ : -16dB MIN.
 30MHZ TO 60MHZ : -14dB MIN.
 60MHZ TO 80MHZ : -12dB MIN.
 80MHZ TO 100MHZ : -10dB MIN.
- ◆ CROSSTALK: 1MHZ TO 100MHZ : -35dB MIN.
- ◆ COMMON MODE REJECTION: 1-100MHZ : -35dB MIN.
- ◆ HIPOT: 1500V AC 1mA 1S.
- ◆ CAPACITOR: 1000µF ± 25% 2KV.
- ◆ RESISTANCE: 75OHMS ± 20%.
- ◆ RESISTANCE OF COIL: 1.80HMS MAX, 0.25OHMS MIN.
- ◆ LEFT LED COLOR: YELLOW; RIGHT LED COLOR: GREEN.

SIGNATURE		DATE	Page	PART NO:
DRAWING	LongZou	2012.05.30	1	XMH-SK01-411002ANL-B-EU TAB-UP RJ45 WITH LED
CHECK	Li Zi Biao	2012.05.30		
APPROVED	SkyGuo	2012.05.30	Total	
			2	REV A
				DWG NO: XMH-0107

Xmuple

TITLE: 10/100 BASE-TX 1*4
TAB-UP RJ45 WITH LED