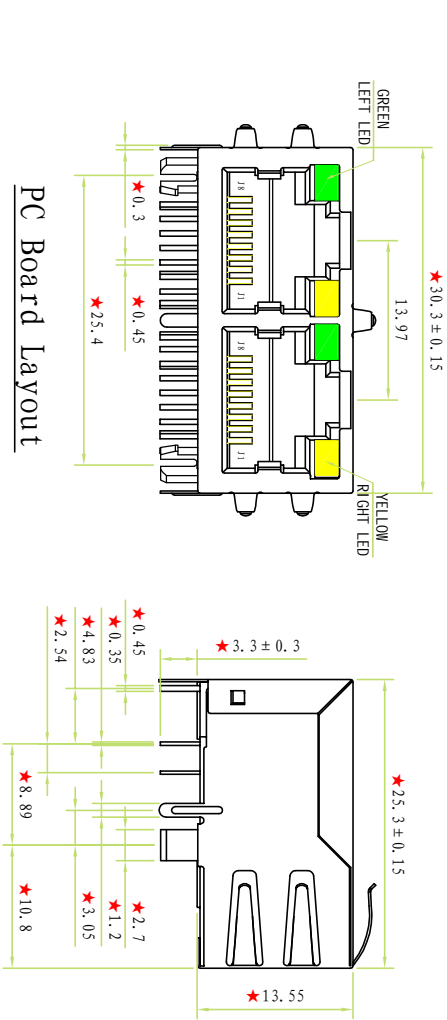
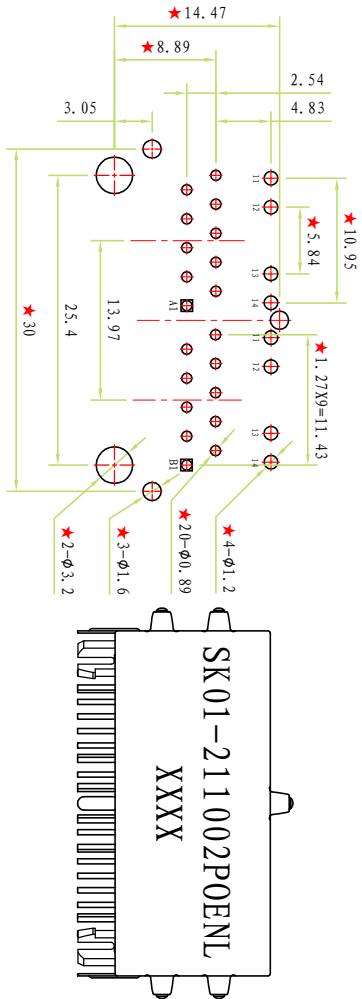


1、MECHANICAL



PC Board Layout



ORDER INFORMATION:
 SK01-211002P0ENL-(Y/N)
 A: IT STANDS FOR THE DIFFERENT RJ45 DESIGNING OF COMPANY, SUCH AS "SK" STANDS FOR COMPANY BUT "XX" STANDS FOR THE SERIES NUMBER OF DIFFERENT PRODUCTS.
 B: THE PARTS ARE SINGLE OR MULTI-PORTS, SUCH AS SK01-1XXXX, IT MEANS 1X1 SINGLE PORT, SK01-21XXXX, MEANS 2X1 OR 1X2, IT IS A DUAL PORTS RJ45 FILTERED CONNECTOR, "G" THE MEANS 1000BASE REQUIREMENT.
 C: TELLS IT IS A LEDS VERSION OR NOT, "I" MEANS WITH LEDS, "0" OR ELSE IS WITHOUT LEDS.
 D: IT STANDS FOR THE PARTS'S SERIES NO.
 E: NI=ROHS COMPLAINT.
 F: CONTACT PLATING CODE: NORMAL TYPE IS NO MARK, IT STANDS THANDS THE CONTACT AREA OF CONTACT PIN IS 6U" GOLD PLATING, MORE THAN 6U" NEED MARK 15 OR 30 OR 50, ETC.

REVISIONS

REV.	DESCRIPTION	ECN NO.	DATE
A	FIRST RELEASE		2011.05.27



GENERAL SPECIFICATION

DESCRIPTION

- ◆ 10/100 BASE-TX RJ45 1X2 TAB-UP WITH LEDS

INTEGRATED MAGNETICS CONNECTOR ICM.

FEATURES AND BENEFITS

- ◆ ROHS PEAK WAVE SOLDER TEMPERATURE RATING 260° C.
- ◆ RJ45 1X2 10-PIN WITH INTERNAL MAGNETIC;
- ◆ SUITABLE FOR CAT5 AND CAT6 FAST ETHERNET CABLE OR BETTER UTP.
- ◆ INTERNAL MANETICS: 100% ELECTRONICALLY TESTED FOR HI POT AND FUNCTIONALITY.

ELECTRICAL PERFORMANCE SUMMARY

- ◆ MEETS IEEE802.3 SPECIFICATION AND 350uH MINIMUM OCL WITH 8mA BIAS CURRENT.
- ◆ HIGH PERFORMANCE FOR MAXIMUM EMI SUPPRESSION.

TEMPERATURE PERFORMANCE

- ◆ STORAGE TEMPERATURE RANGE: -25° C TO +85° C.
- ◆ OPERATION TEMPERATURE RANGE: 0° C TO +70° C.

MATERIAL SPECIFICATION

- ◆ SHIELD: BRASS, 0.2mm THICKNESS WITH NICKEL PLATED.
- ◆ PLASTIC: HOUSING, PBT/PA6T.
- ◆ SOLDERING MATERIAL: 99.3%Sn0.3%Cu.
- ◆ CONTACT: PHOSPHOR BRONZE, 0.35mm THICKNESS, HARD GOLD PLATED OVER TIN GOLD PLATING:

- < 3 μ " INCH □ 3 μ " INCH □ 6 μ " INCH □
- 15 μ " INCH □ 30 μ " INCH □ 50 μ " INCH □

dimension	TOLERANCE RATE		
	A	B	C
0~4	±0.05	±0.10	±0.20
4~16	±0.08	±0.15	±0.30
16~64	±0.12	±0.25	±0.50
64~250	±0.25	±0.40	±0.80



SAK ELECTRONICS CO., LTD

TITLE: 10/100 BASE-TX 1X2
 TAB-UP RJ45 WITH LED

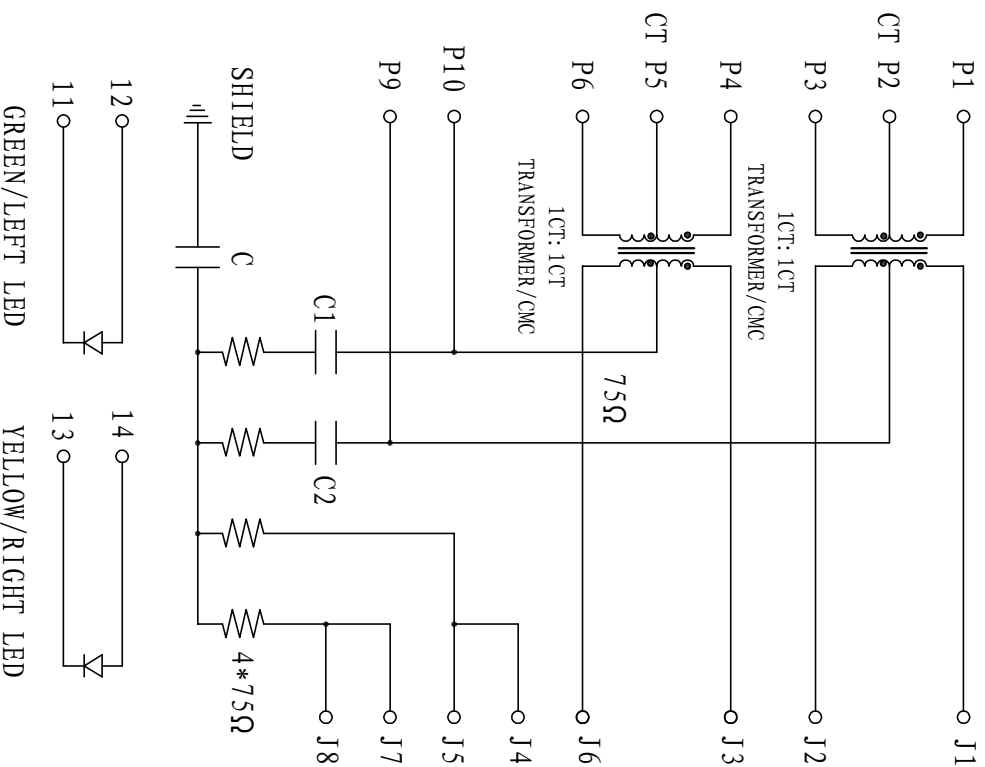
APPROVALS

APPROVED BY:	DATE	PAGE
LongZou	2011.05.27	1
Li Zi Bao	2011.05.27	1
SkyGuo	2011.05.27	2

PART NO:
 SK01-211002P0ENL

REV: A
 DWG NO:
 CSAK-0193

2. ELECTRICAL



ORDER INFORMATION:

SK01-211002P0E NL-(Y/N)

A B C D E F

A: IT STANDS FOR THE DIFFERENT RJ45 DESIGNING OF COMPANY, SUCH AS "SK" STANDS FOR COMPANY BUT "XX" STANDS FOR THE SERIES NUMBER OF DIFFERENT PRODUCTS.

B: THE PARTS ARE SINGLE OR MULTI-PORTS, SUCH AS SK01-1XXXX, IT MEANS 1X1 SINGLE PORT.

SK01-21XXXX,MEANS 2X1 OR 1X2.IT IS A DUAL PORTS RJ45 FILTERED CONNECTOR. "G" THE MEANS IS 1000BASE REQUIREMENT.

C: TELLS IT IS A LEDS VERSION OR NOT. "1" MEANS WITH LEDS, "0" OR ELSE IS WITHOUT LEDS.

D: IT STANDS FOR THE PARTS 'S' SERIES NO.

E: NI=ROHS COMPLAINT.

F: CONTACT PLATING CODE: NORMAL TYPE IS NO MARK, IT STANDS THANDS THE CONTACT AREA OF CONTACT PIN IS 6U" GOLD PLATING.MORE THAN 6U" NEED MARK 15 OR 30 OR 50.ETC.

ELECTRICAL SPECIFICATIONS



- ◆ ALL TEST CONDITIONS@25°C UNLESS OTHERWISE NOTED.
- ◆ TURN RATIO:
 - TX, SECONDARY : PRIMARY= 1CT:1CT ± 3%.
 - RX, SECONDARY : PRIMARY= 1CT:1CT ± 3%.
- ◆ OCL: 350uH MIN, 8mA DC BIAS CURRENT.
- ◆ INSERTION LOSS: 1-100MHZ-1.0dB MAX.
- ◆ RETURN LOSS:
 - 1MHZ TO 10MHZ : -18dB MIN.
 - 10MHZ TO 30MHZ : -16dB MIN.
 - 30MHZ TO 60MHZ : -14dB MIN.
 - 60MHZ TO 80MHZ : -12dB MIN.
 - 80MHZ TO 100MHZ : -10dB MIN.
- ◆ CROSSTALK:
 - 1MHZ TO 100MHZ : -35dB MIN.
- ◆ COMMON MODE REJECTION: 1-100MHZ : -35dB MIN.
- ◆ HIPOT: 1500V AC 1mA 1S.
- ◆ CAPACITOR: C=1000pF ± 25% 2KV, C1、C2=0.22uF.
- ◆ RESISTANCE: 75OHMS ± 20%.
- ◆ RESISTANCE OF COIL: 1.80HMS MAX, 0.250HMS MIN.
- ◆ LEFT LED COLOR: GREEN; RIGHT LED COLOR: YELLOW.

SAK ELECTRONICS CO., LTD		TITLE:10/100 BASE-TX 1X2 TAB-UP RJ45 WITH LED	
APPROVALS		Date	Page
DRAWN BY: LongZou	2011.05.27	2	Total 1
PROJ. ENG: Li Zi Bi,ao	2011.05.27	2	Total 1
APPROVED BY: SkyGuo	2011.05.27	2	Total 1
PART NO: SK01-211002P0ENL	REV: A	DWG NO: CSAK-0193	