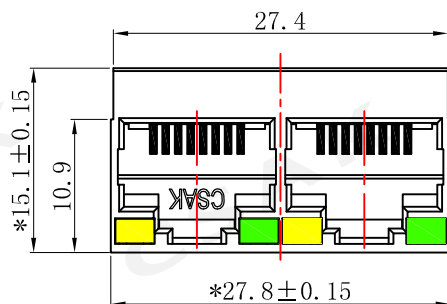
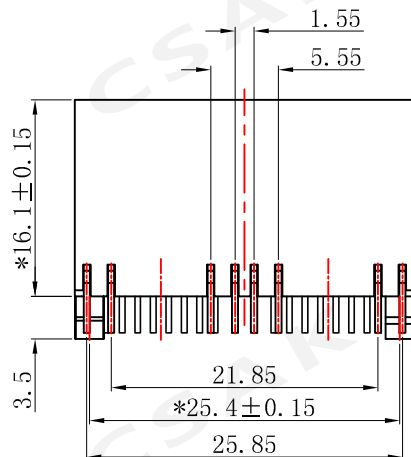
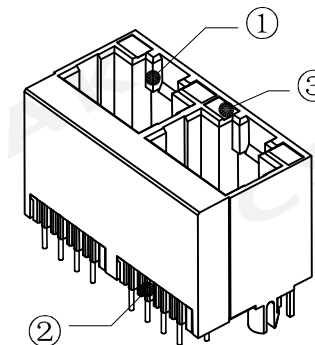
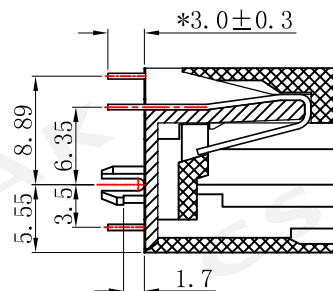
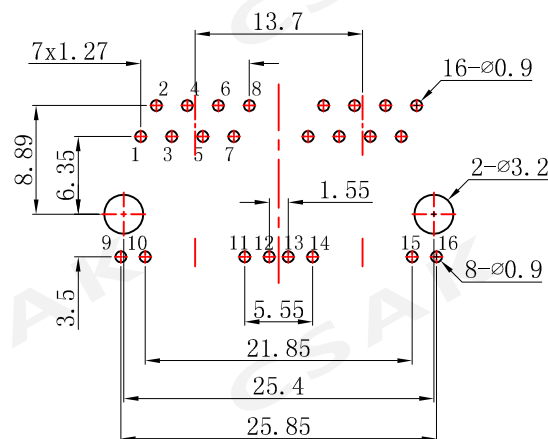


ROHS Compliant

REV.	DESCRIPTION	DATA



PCB Layout



Yellow LED	9	10	13	14
Green LED	11	12	15	16

DESCRIPTION:

- OPERATION TEMPERATURE RANGE: -40°C TO 85°C;
- LOAD RATING: 125VAC, 1.5A;
- CONTACT RESISTANCE: 30mΩ MAX;
- INSULATION RESISTANCE: 1000MΩ MIN;
- WITHSTAND VOLTAGE: 1000VAC 60S;
- MECHANICAL ENDURANCE: 750 CYCLES MIN;
- RECOMMENDED PCB THICKNESS: 1.6mm.

BOM

NO.	PART NAME	DWG NO.	Q' TY	DESCRIPTION
1	HOUSING	5212.50.002	1	PBT (Yellow 114C)
2	INSERT	5212.20.001	2	Contact Material:phosphor bronze gold plating 0.5 μ", ∅0.46mm
3	LED	5212.39.001	4	平头LED 黄绿各2PCS

CSAK[®]

ELECTRONICS CO., LTD

DESC:RJ45 立式 1x2 8P8C PBT黄色114C LED

TOLERANCES	PYPE	5212-88-10A-001-77	DRAWING	P/N:5212.10.005.771			
0~6 :±0.1	CUSTOMER		CHECK	UNIT	SCALE	VIEW	REV.
6~30 :±0.2	CUST P/N		APPROVED	mm	1:1		AO
30~120:±0.3							