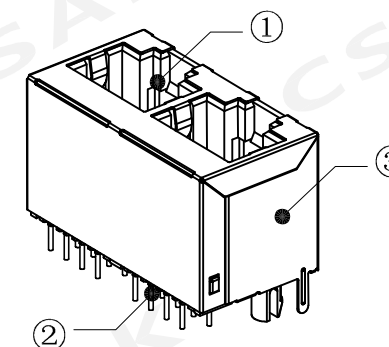
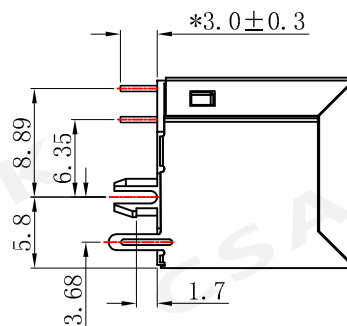
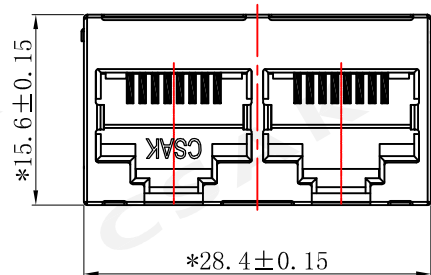
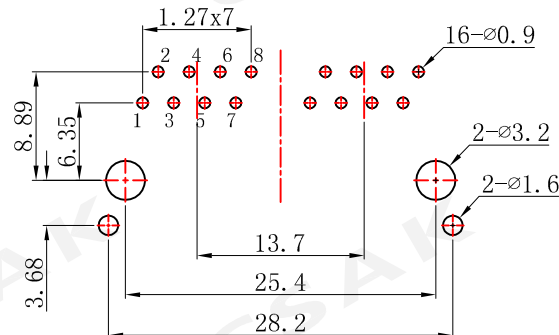
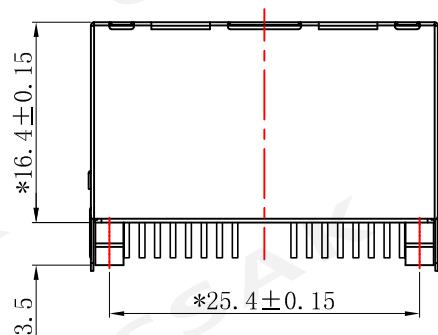


ROHS Compliant

REV.	DESCRIPTION	DATA

### PCB Layout



#### DESCRIPTION:

1. OPERATION TEMPERATURE RANGE: -40°C TO 85°C;
2. LOAD RATING: 125VAC, 1.5A;
3. CONTACT RESISTANCE: 30mΩ MAX;
4. INSULATION RESISTANCE: 1000MΩ MIN;
5. WITHSTAND VOLTAGE: 1000VAC 60S;
6. MECHANICAL ENDURANCE: 750 CYCLES MIN;
7. RECOMMENDED PCB THICKNESS: 1.6mm.

BOM				
NO.	PART NAME	DWG NO.	Q' TY	DESCRIPTION
1	HOUSING	5212.50.001	1	(PBT Black)
2	INSERT	5212.20.001	2	Contact Material:phosphor bronze gold plating 0.5 μ", Ø0.46mm
3	SHIELD	5212.40.001	1	0.2mm nickel-plated brass

<b>CSAK</b> ® ELECTRONICS CO., LTD		DESC:RJ45 立式 1x2 8P8C 屏蔽		
TOLERANCES	PYPE	5212-88-100-201-01	DRAWING	P/N:5212.10.003.011
0~6 : ±0.1	CUSTOMER		CHECK	UNIT SCALE VIEW REV.
6~30 : ±0.2	CUST P/N		APPROVED	mm 1:1  A0
30~120: ±0.3				