

6

5

4

3

2

1

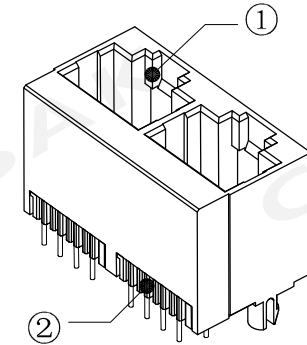
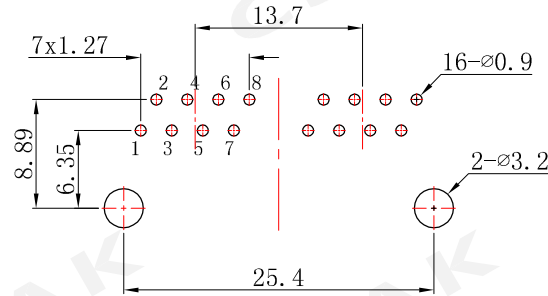
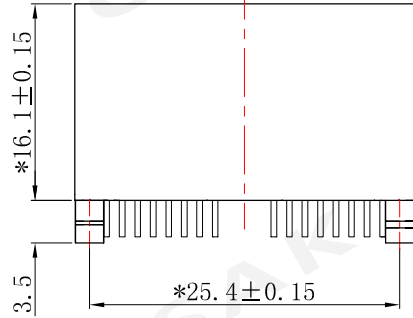
ROHS Compliant

REV.	DESCRIPTION	DATA

D

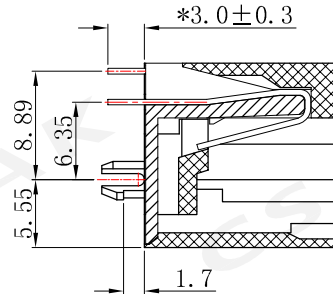
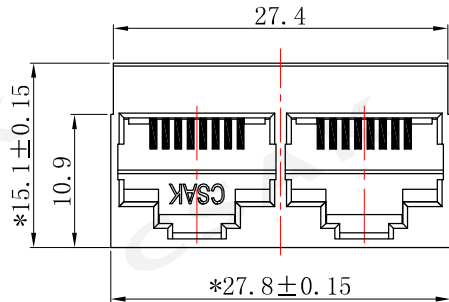
D

### PCB Layout



C

C



B

B

#### DESCRIPTION:

- OPERATION TEMPERATURE RANGE: -40°C TO 85°C;
- LOAD RATING: 125VAC, 1.5A;
- CONTACT RESISTANCE: 30mΩ MAX;
- INSULATION RESISTANCE: 1000MΩ MIN;
- WITHSTAND VOLTAGE: 1000VAC 60S;
- MECHANICAL ENDURANCE: 750 CYCLES MIN;
- RECOMMENDED PCB THICKNESS: 1.6mm.

BOM				
NO.	PART NAME	DWG NO.	Q' TY	DESCRIPTION
1	HOUSING	5212.50.001	1	PBT (Black)
2	INSERT	5212.20.001	2	Contact Material: phosphor bronze gold plating 0.5 μ", ∅0.46mm

A

A

<b>CSAK</b> ELECTRONICS CO., LTD		DESC: RJ45 立式 1x2 8P8C 全塑 PBT黑色			
TOLERANCES	PYPE	5212-88-100-001-01	DRAWING	P/N: 5212.10.001.011	
0~6 : ±0.1	CUSTOMER		CHECK	UNIT	SCALE
6~30 : ±0.2	CUST P/N		APPROVED	mm	1:1
30~120: ±0.3				VIEW	REV.
				AO	

6

5

4

3

2

1