

6

5

4

3

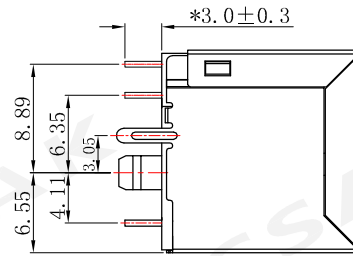
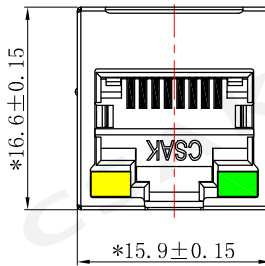
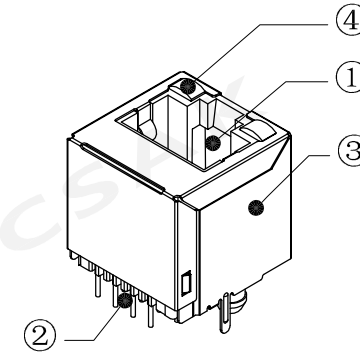
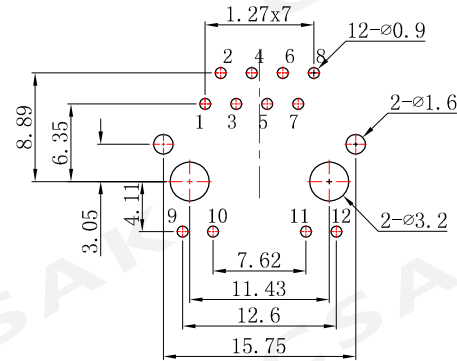
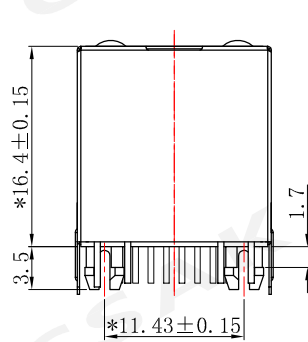
2

1

ROHS Compliant

REV.	DESCRIPTION	DATA

## PCB Layout



Yellow LED	9		10
Green LED	11		12

## BOM

NO.	PART NAME	DWG NO.	Q' TY	DESCRIPTION
1	HOUSING	5211.50.003	1	PBT Black
2	INSERT	5211.20.003	1	Contact Material:phosphor bronze gold plating 0.5 μ", ∅0.46mm
3	SHIELD	5211.40.004	1	0.2mm nickel-plated brass
4	LED	5211.39.001	2	2*3*4弧面 黄,绿各1PCS

## DESCRIPTION:

- OPERATION TEMPERATURE RANGE: -40°C TO 85°C;
- LOAD RATING: 125VAC, 1.5A;
- CONTACT RESISTANCE: 30mΩ MAX;
- INSULATION RESISTANCE: 1000MΩ MIN;
- WITHSTAND VOLTAGE: 1000VAC 60S;
- MECHANICAL ENDURANCE: 750 CYCLES MIN;
- RECOMMENDED PCB THICKNESS: 1.6mm.

CSAK®

ELECTRONICS CO., LTD

DESC:RJ45 立式 1x1 8P8C 屏蔽 黄绿LED

TOLERANCES	PYPE	5211-88-101-401-01	DRAWING	P/N:5211.10.012.011			
0~6 : ±0.1	CUSTOMER		CHECK	UNIT	SCALE	VIEW	REV.
6~30 : ±0.2	CUST P/N		APPROVED	mm	1:1		A0
30~120: ±0.3							

6

5

4

3

2

1

D

D

C

C

B

B

A

A