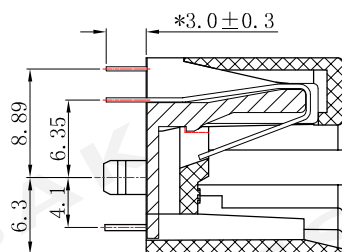
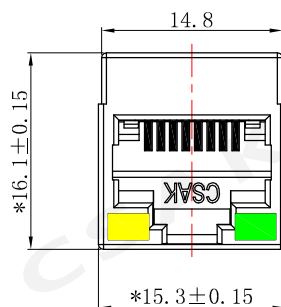
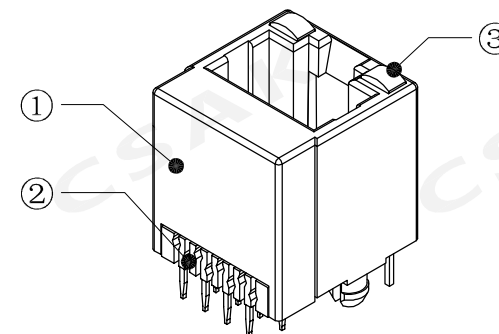
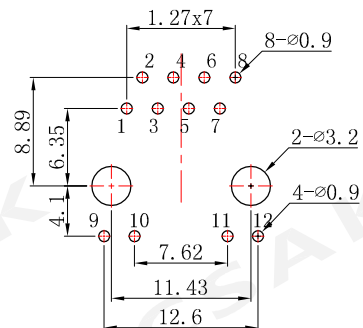
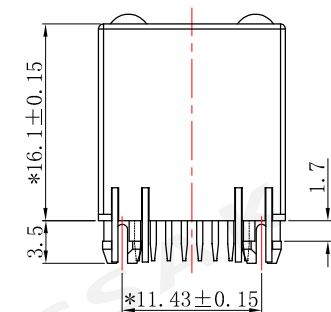


ROHS Compliant

REV.	DESCRIPTION	DATA

PCB Layout



Yellow LED	9		10
Green LED	11		12

DESCRIPTION:

- OPERATION TEMPERATURE RANGE: -40°C TO 85°C;
- LOAD RATING: 125VAC, 1.5A;
- CONTACT RESISTANCE: 50mΩ MAX;
- INSULATION RESISTANCE: 1000MΩ MIN;
- WITHSTAND VOLTAGE: 1000VAC 60S;
- MECHANICAL ENDURANCE: 750 CYCLES MIN;
- RECOMMENDED PCB THICKNESS: 1.6mm.

BOM

NO.	PART NAME	DWG NO.	Q' TY	DESCRIPTION
1	HOUSING	5211.50.003	1	PBT (Black)
2	INSERT	5211.20.002	1	Contact Material: phosphor bronze gold plating 3μ", T=0.3mm
3	LED	5211.39.001	2	黄绿各1PCS

CSAK[®]

ELECTRONICS CO., LTD

DESC:RJ45 立式 1x1 8P8C PBT黑色 黄绿LED 扁针

TOLERANCES	PYPE	5211-88-101-006-H-01	DRAWING	P/N:5211.10.004.016			
0~6 :±0.1	CUSTOMER		CHECK	UNIT	SCALE	VIEW	REV.
6~30 :±0.2	CUST P/N		APPROVED	mm	1:1		A0
30~120:±0.3							