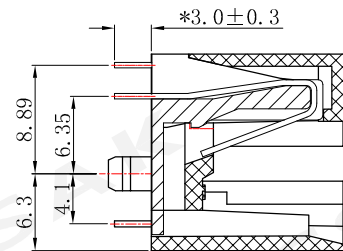
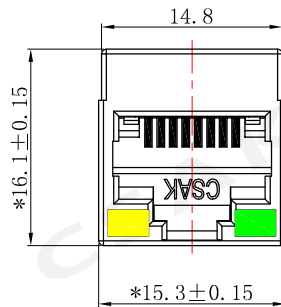
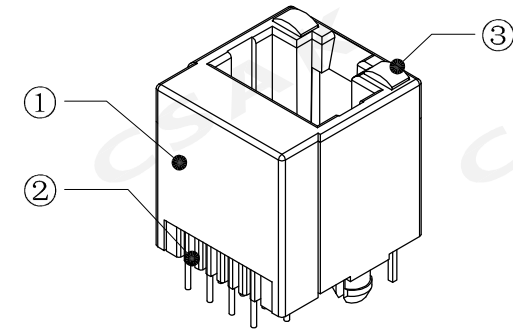
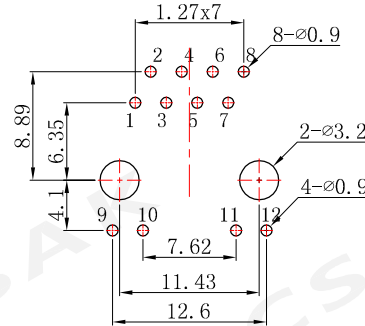
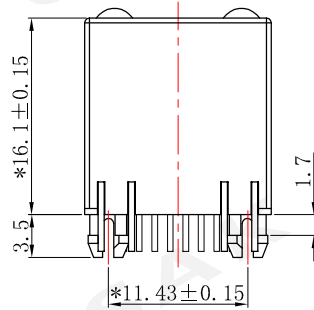


ROHS Compliant

REV.	DESCRIPTION	DATA

PCB Layout



Yellow LED	9		10
Green LED	11		12

DESCRIPTION:

- OPERATION TEMPERATURE RANGE: -40°C TO 85°C;
- LOAD RATING: 125VAC, 1.5A;
- CONTACT RESISTANCE: 30mΩ MAX;
- INSULATION RESISTANCE: 1000MΩ MIN;
- WITHSTAND VOLTAGE: 1000VAC 60S;
- MECHANICAL ENDURANCE: 750 CYCLES MIN;
- RECOMMENDED PCB THICKNESS: 1.6mm.

BOM				
NO.	PART NAME	DWG NO.	Q' TY	DESCRIPTION
1	HOUSING	5211.50.003	1	PBT (Black)
2	INSERT	5211.20.003	1	Contact Material: phosphor bronze gold plating 0.5μ", ∅0.46mm
3	LED	5211.39.001	2	黄,绿各1PCS

CSAK[®]

ELECTRONICS CO., LTD

DESC:RJ45 立式 1x1 8P8C PBT黑色 黄绿LED

TOLERANCES	PYPE	5211-88-101-001-01	DRAWING	P/N:5211.10.005.011			
0~6 : ±0.1	CUSTOMER		CHECK	UNIT	SCALE	VIEW	REV.
6~30 : ±0.2							
30~120: ±0.3	CUST P/N		APPROVED	mm	1:1		A0