

6

5

4

3

2

1

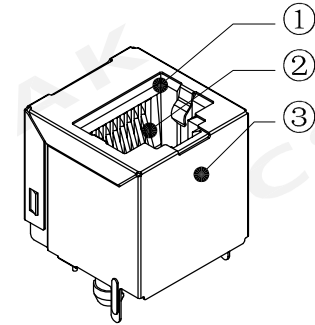
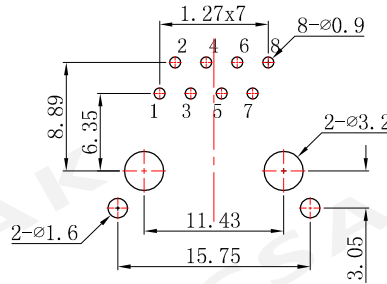
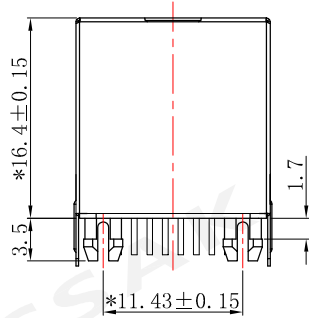
ROHS Compliant

REV.	DESCRIPTION	DATA

D

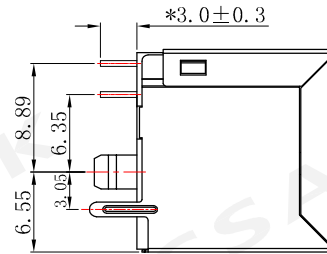
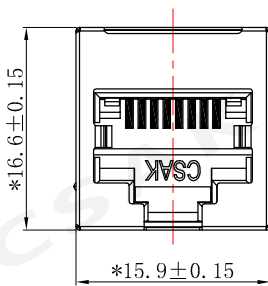
D

PCB Layout



C

C



B

B

BOM

NO.	PART NAME	DWG NO.	Q' TY	DESCRIPTION
1	HOUSING	5211.50.002	1	PBT (Black)
2	INSERT	5211.20.003	1	Contact Material:phosphor bronze gold plating 0.5 μ", ∅0.46mm
3	SHIELD	5211.40.001	1	0.2mm nickel-plated brass

DESCRIPTION:

1. OPERATION TEMPERATURE RANGE: -40°C TO 85°C;
2. LOAD RATING: 125VAC, 1.5A;
3. CONTACT RESISTANCE: 30mΩ MAX;
4. INSULATION RESISTANCE: 1000MΩ MIN;
5. WITHSTAND VOLTAGE: 1000VAC 60S;
6. MECHANICAL ENDURANCE: 750 CYCLES MIN;
7. RECOMMENDED PCB THICKNESS: 1.6mm.

A

A

CSAK ELECTRONICS CO., LTD		DESC:RJ45 立式 1x1 8P8C PA46 屏蔽		
TOLERANCES	PYPE	5211-88-100-101-01	DRAWING	P/N:5211.10.007.011
0~6 : ±0.1	CUSTOMER		CHECK	UNIT SCALE VIEW REV.
6~30 : ±0.2	CUST P/N		APPROVED	mm 1:1 A0
30~120: ±0.3				

6

5

4

3

2

1