

6

5

4

3

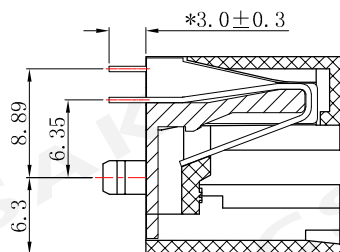
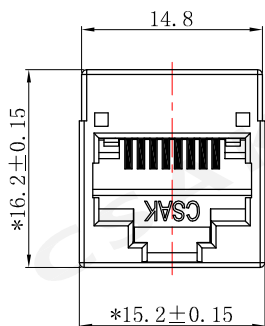
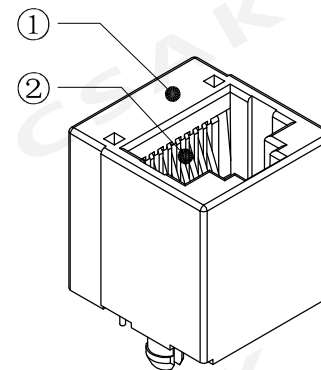
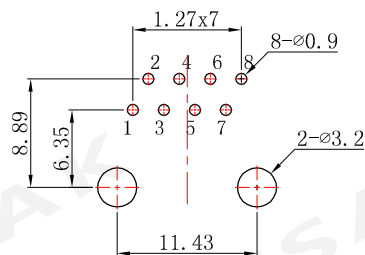
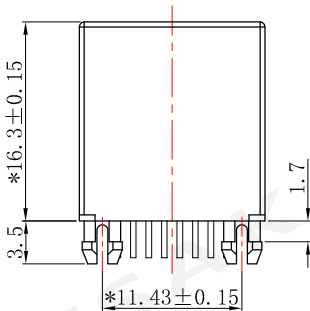
2

1

ROHS Compliant

REV.	DESCRIPTION	DATA

PCB Layout



DESCRIPTION:

1. OPERATION TEMPERATURE RANGE: -40°C TO 85°C;
2. LOAD RATING: 125VAC, 1.5A;
3. CONTACT RESISTANCE: 30mΩ MAX;
4. INSULATION RESISTANCE: 1000MΩ MIN;
5. WITHSTAND VOLTAGE: 1000VAC 60S;
6. MECHANICAL ENDURANCE: 750 CYCLES MIN;
7. RECOMMENDED PCB THICKNESS: 1.6mm.

BOM				
NO.	PART NAME	DWG NO.	Q' TY	DESCRIPTION
1	HOUSING	5211.50.007	1	PBT (Red 032C)
2	INSERT	5211.20.003	1	Contact Material: phosphor bronze gold plating 0.5μ", ∅0.46mm



ELECTRONICS CO., LTD

DESC:RJ45 立式 1x1 8P8C PBT红色 A面方孔

TOLERANCES	PYPE	5211-88-100-001-09C	DRAWING	P/N:5211.10.030.091			
0~6 :±0.1	CUSTOMER		CHECK	UNIT	SCALE	VIEW	REV.
6~30 :±0.2				mm	1:1		A0
30~120:±0.3	CUST P/N		APPROVED				

6

5

4

3

2

1

A

A