

RS-WMFS Frequency Synthesizer



FREQUENCY RANGE:
Offering Bands from 1-23 GHz

FEATURES

- Octave Band Military Synthesizer, Offering Bands From 1 to 23 GHz
- Step Sizes of Less Than 1 Hz
- Low Phase Noise (-85 dBc @ 100 KHz Offset, @ 10 GHz)
- Low DC Power Consumption
- Low Spurious (-60 dBc)
- Ruggedized Construction for Airborne Applications
- Hermetically Sealed Package

APPLICATIONS

- Radar
- Instrumentation
- Fixed & Mobile SATCOM Converters
- Flight Testers

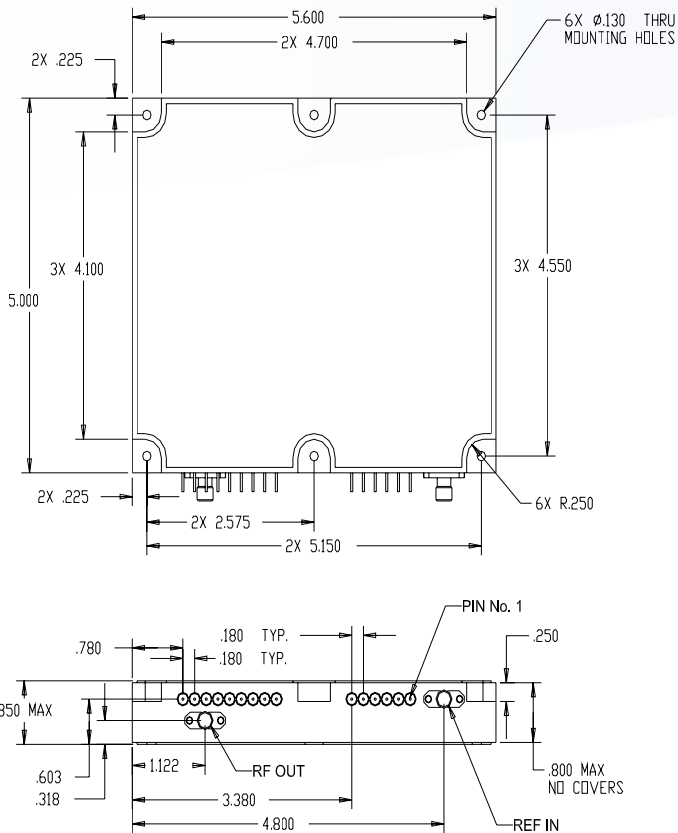
GENERAL DESCRIPTION

The RS-WMFS is a wide band military synthesizer, offering bands from 1-23 GHz in bands up to 6 GHz wide, and features step sizes of less than 1 Hz. The unit also features a switching speed of less than 1 ms, low spurious (-60) and low power consumption (10 watts typical). This small package is hermetically sealed and ruggedized for military application. Typical phase noise is -85 dBc @ 100 KHz offset @ 10 GHz.

SPECIFICATIONS

Typical Frequency Bands	6-10 GHz (3-5 GHz, 8-12 GHz, 12-18 GHz)
Power Output	+11 to +16 dBm
Resolution	< 1 Hz, 1 KHz, 100 KHz, 1 MHz
Return Loss RF Out	< 10 dB
Return Loss 10 MHz Reference	< 10 dB
Spurious Signals	-60 dBc max (-70 dBc Typ)
Harmonics	-60 dBc max
Phase Requirements	+15V @ 250 mA +8V @ 950 mA -12V @ 50 mA
DC Power	11.5W Max
Ripple on DC	50m Vp-p max 200 KHz
Phase Noise @ 10 GHz Max	
10 Hz Offset	-60 dBc
100 Hz offset	-60 dBc
1 KHz offset	-80 dBc
10 KHz Offset	-80 dBc
100 KHz Offset	-85 dBc
1 MHz Offset	-119 dBc
10 MHz Offset	-140 dBc
Turning Time	< 0.8 msec (250 µsec optional)
External Reference	10 MHz @ -7 to +3 dBm
ESS	Vibration, Shock, Fine & Gross Leak
Thermal Cycling	-40°C to +65°C
Weight	2.5 lbs Max
Operation Temperature	+25°C to +58°C
RF Connectors	SMA female
Dimensions	5.1" X 5.6" X 0.9" excluding connector
Package	Hermitically sealed per MIL STD-202F

OUTLINE DRAWING



Filter PIN No.	FUNCTION
1	ENABLE
2	D0
3	D1
4	D2
5	D3
6	D4
7	D5
8	D6
9	D7
10	CLOCK
11	ON/OFF
12	LOCK
13	+15V
14	+8V
15	-12V

NOTES:
CONNECTORS:
RF OUT: SMA TYPE JACK (FEMALE), HERMETIC SEALED
REF IN: SMA TYPE JACK (FEMALE), HERMETIC SEALED
PIN OUT: HERMETIC FILTERS

FOR ADDITIONAL INFORMATION PLEASE CONTACT
sales@elcom-tech.com

Note: These documents may contain Elcom Proprietary Information and are to be used only for the purposes for which they have been supplied and are not to be duplicated or disclosed in whole or in part without written permission from a duly authorized representative of Elcom Technologies.

***Export of Elcom Technologies products is subject to U.S. export controls. Licenses may be required.*