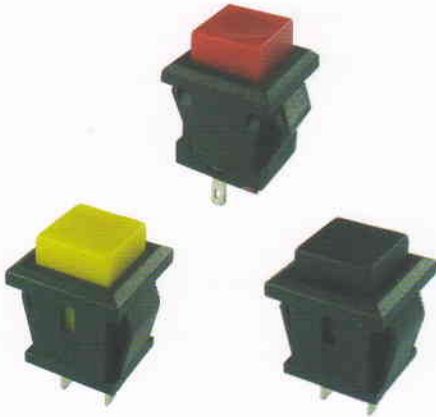


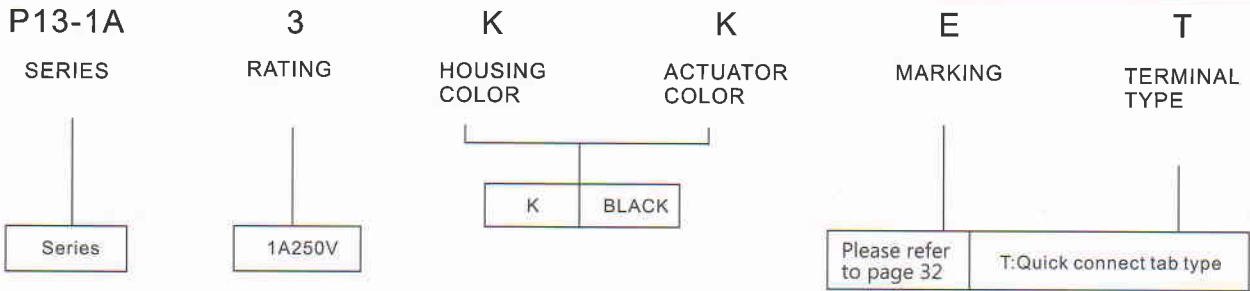
P13系列按键开关



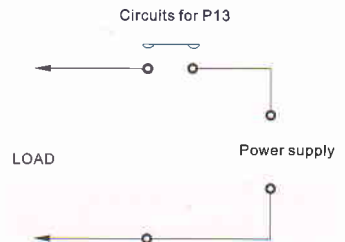
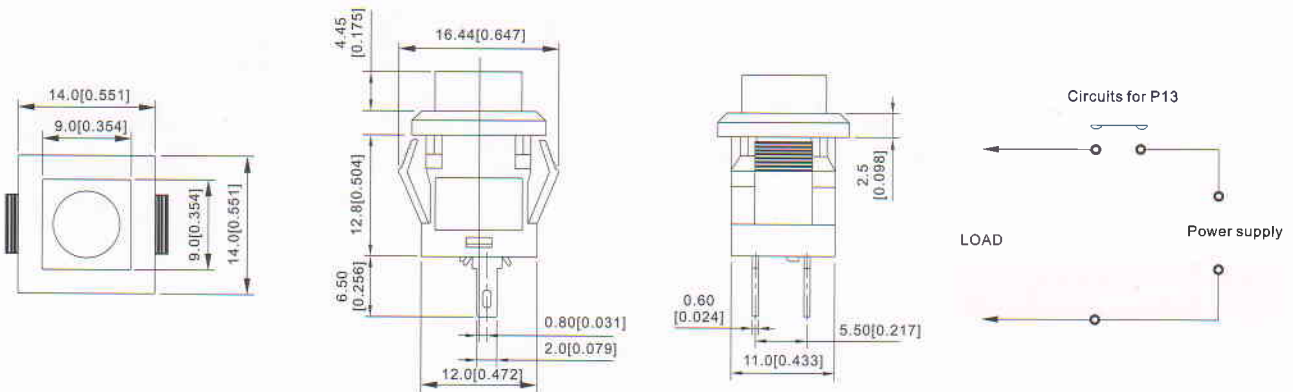
技术参数 SPECIFICATION:

安规认证 (safety approval) :UL, CUL, VDE, ENEC
 电气规格 (Electrical rating) :1A 250VAC, 3A125VAC
 机械寿命 (Mechanical life endurance) :30000 cycles
 电器寿命 (Electrical life endurance) :10000 cycles
 接触电阻 (Contact resistance) :<20mΩ
 绝缘电阻 (Insulation resistance) :>1000MΩ
 环境温度 (Ambient temperature) :>T85/T105
 防火等级 (Flammability) :UL94 V-2, UL94 V-0.灼热丝, 针焰测试
 外壳材料 (Material of housing) :PA66
 触电材料 (Contacts) :银合金 (Silver alloy)
 端子材料 (Terminal) :铜镀镍 (Copper silver plated)
 端子焊性 (Solder ability of terminal) :Max 350°C 3S, 用手焊接时, 不可给端子施加压力

料号 Ordering Procedure



外形尺寸 Dimension



开关功能 Option Of Switch Function

Item NO	POLES & THROWS	Rocker position():Momentary		
		Down	Center	Upl
P13-1A	SPST	ON	None	OFF
P13-1B	SPST	ON	None	OFF
P13-1C	SPST	(OFF)	None	ON



P13-180KYET



P13-1C0KKET



P13-1A3KRET