

# L83系列按键开关



### 技术参数 SPECIFICATION:

安规认证 ( safety approval ) :UL, CUL, VDE, ENEC, CQC  
 电气规格 ( Electrical rating ) :10A/15A 250VAC, 15A125VAC  
 机械寿命 ( Mechanical life endurance ) :30000 cycles  
 电器寿命 ( Electrical life endurance ) :10000 cycles  
 接触电阻 ( Contact resistance ) :<20mΩ  
 绝缘电阻 ( Insulation resistance ) :>100MΩ  
 环境温度 ( Ambient temperature ) :>T85/T105  
 防火等级 ( Flammability ) :UL94 V-2. UL94 V-0.灼热丝, 针焰测试  
 外壳材料 ( Material of housing ) :PA66/PC  
 触电材料 ( Contacts ) :银合金 ( Silver alloy )  
 端子材料 ( Terminal ) :铜镀镍 ( Copper silver plated )  
 端子焊性 ( Solder ability of terminal ) :Max 350°C 3S, 用手焊接时, 不可给端子施加压力

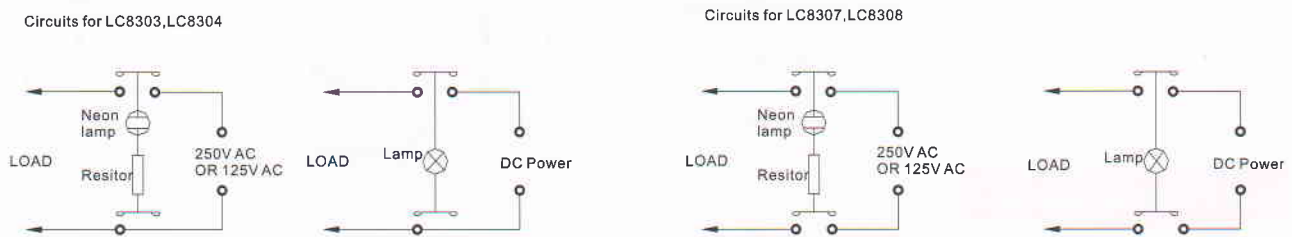
### 料号 Ordering Procedure

LC83 01 K K E T 0 C

Series SWITCH FUNCTION HOUSING COLOR ACTUATOR COLOR MARKING TERMINAL TYPE LAMP VOLTAGE SAFETY APPROVAL

01	ON-OFF	W White K Black	W White K Black R Red Y Yellow(illu) M Green(illu) D Red(illu)	E No Marking	T Quick connect tab type	0 No lamp 1 125VAC 2 250VAC 3 12VDC 4 24VDC	C 4 Safety Approvals E None Approvals
02	(ON)-OFF						
03	ON-OFF(wiht lamp)						
04	(ON)-OFF(wiht lamp)						
05	ON-OFF						
06	(ON)-OFF						
07	ON-OFF(wiht lamp)						
08	(ON)-OFF(wiht lamp)						

### 带灯开关的电路图 Circuits If Switch Lamp



# LC83系列按键开关

## 开关功能 Option Of Switch Function

Item NO	POLES & THROWS	Rocker position():Momentary		
		Down	Center	Up
LC2101	SPST	ON	None	OFF
LC2102	SPST	(ON)	None	OFF
LC2103	SPST(with lamp)	ON	None	OFF
LC2104	SPST(with lamp)	(ON)	None	OFF
LC2105	DPST	ON	None	OFF
LC2106	DPST	(ON)	None	OFF
LC2107	DPST(with lamp)	ON	None	OFF
LC2108	DPST(with lamp)	(ON)	None	OFF

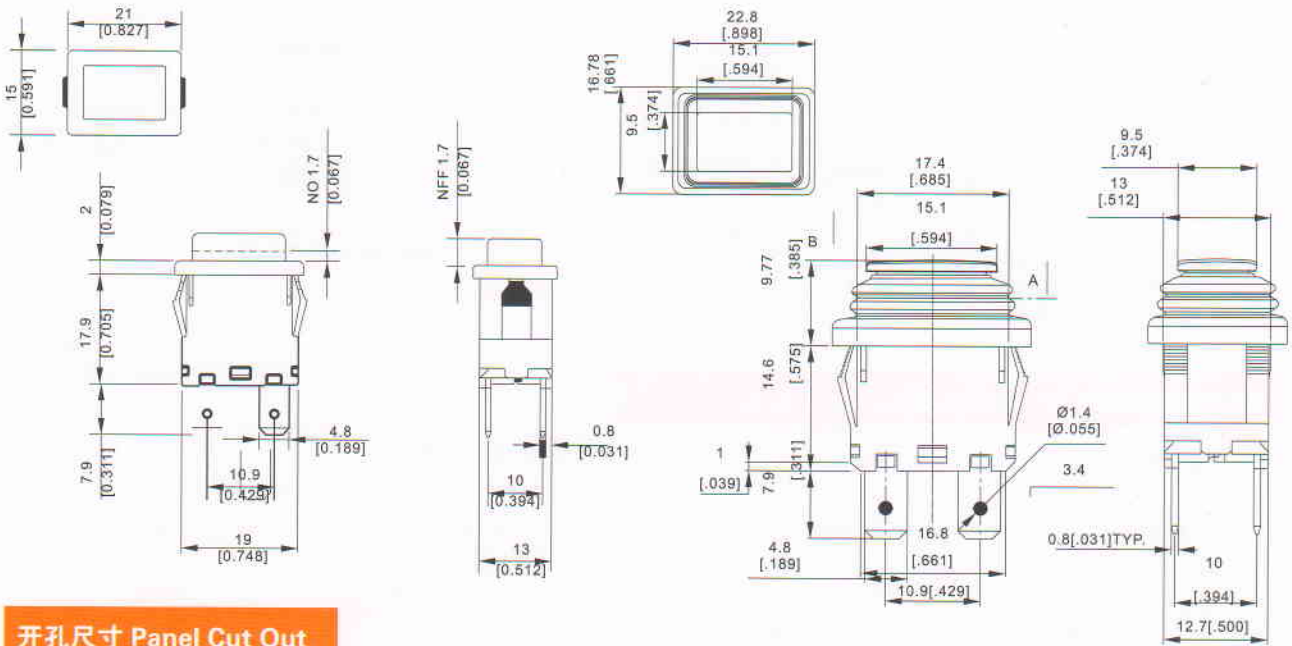


LC8306KKET0C

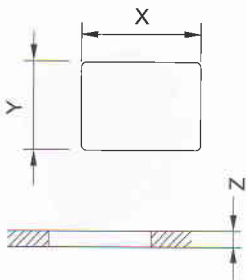


LC8308KYET2C84

## 外形尺寸 Dimension



## 开孔尺寸 Panel Cut Out



Z	Y	X
0.70~1.25	12.90~13.00	19.10~19.20
1.25~2.00	12.90~13.00	19.30~19.40
2.00~3.00	12.90~13.00	12.50~19.60