

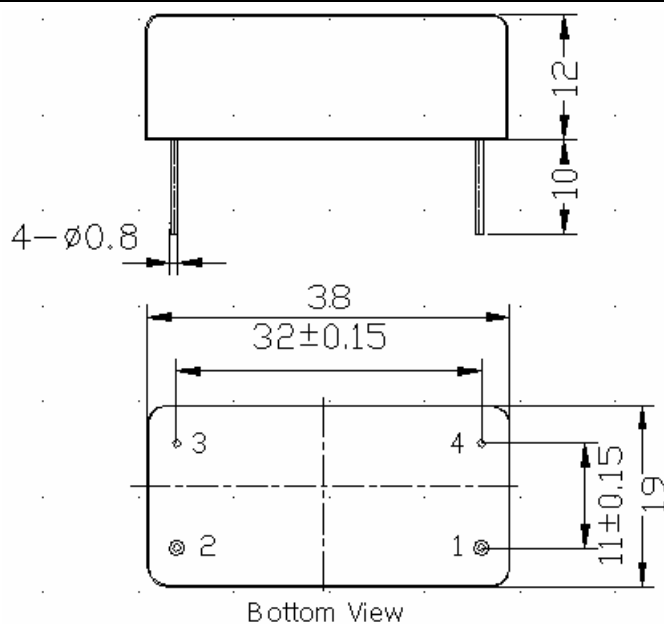


Specification

Crystal Filter 80MHz

Part Number: 80M25D53

Item	Typical
Nominal Frequency (MHz)	80
Insertion Loss (dB)	6.0
Ripple within Pass band (dB)	1.0
Bandwidth at -3dB (kHz)	25
Bandwidth at -50dB Attenuation (kHz)	50
Ultimate Rejection (dB)	70
Impedance (Ω)	50
Operation Temperature ($^{\circ}\text{C}$)	-40 ~ +80
Storage Temperature ($^{\circ}\text{C}$)	-45 ~ +85
Package Size (mm)	38x19x12



Pin No	Description
1	Input/Output
2	Output/Input
3、4	Ground